

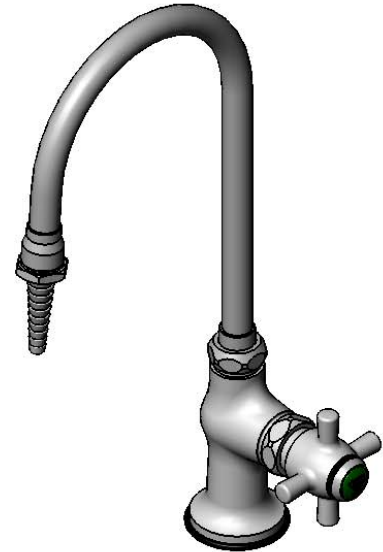
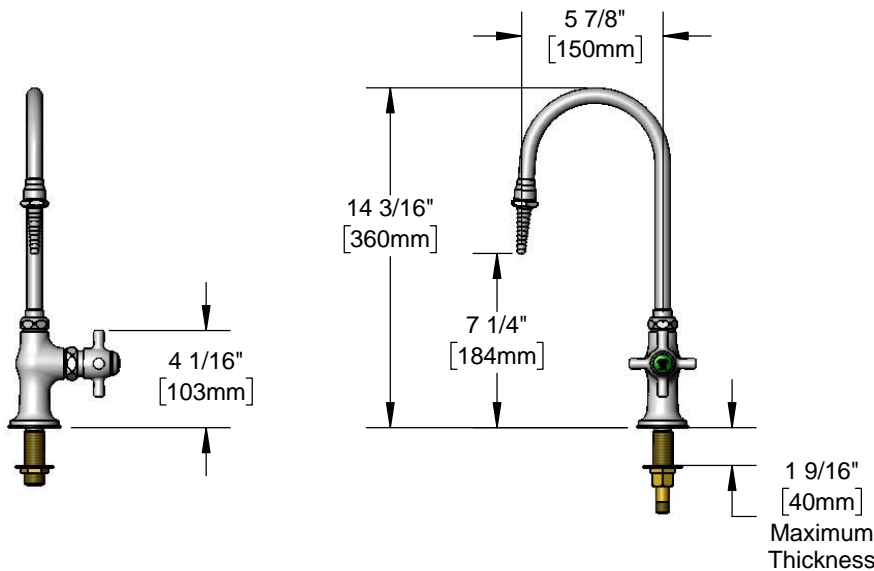


Single Self-Closing Ledge Faucet

Architect/Engineering Specifications:

Single hole single temperature deck mount faucet with polished chrome plated brass body, 5 7/8" swivel gooseneck with serrated tip outlet, fast self-closing cartridge, 4-arm handle and 1/2" NPSM male inlet. Certified to ASME A112.18.1/CSA B125.1, NSF 61 - Section 9 and NSF 372.

Job Name _____	
Model Specified _____	Quantity _____
Variations Specified _____	
Date _____	



Features & Benefits:

- Single hole single temperature deck mount faucet w/ polished chrome plated brass body
- 5 7/8" swivel/rigid gooseneck
- Serrated tip outlet, Series 2
- Fast self-closing cartridge
- 4-arm handle w/ green "CW" index
- 1/2" NPSM male inlet
- Optional tailpiece and nut for 1/4" NPT male connection
- Material: Polished chrome plated brass body & tubular spout and chrome plated metal handle

Product Compliance:

- ASME A112.18.1 / CSA B125.1
- NSF 61 - Section 9
- NSF 372 (Low Lead Content)

Warranty: One Year (Limited)

Performance Data:

- Pressure: 20 - 125 psi
- Temperature: 40 °F - 140 °F
- Flow Rate: 3.78 GPM @ 60 psi

