



Architect/Engineering Specifications:

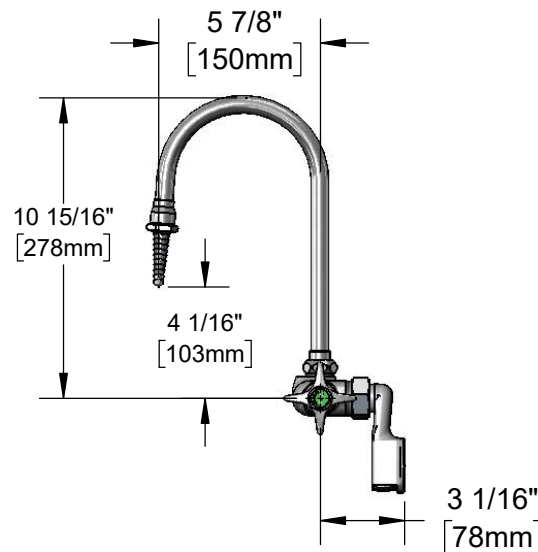
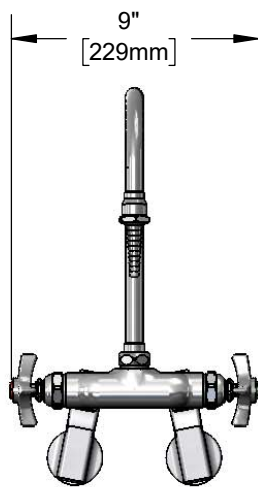
Wall mount mixing faucet with polished chrome plated brass body, 5 7/8" swivel gooseneck with serrated tip outlet, compression cartridges, 4-arm handles and 1/2" NPT female adjustable inlets. Certified to ASME A112.18.1/CSA B125.1, NSF 61-Section 9 and NSF 372. Meets ADA ANSI/ICC A117.1 requirements.

Job Name _____

Model Specified _____ Quantity _____

Variations Specified _____

Date _____



Features & Benefits:

- Adjustable inlet wall mount mixing faucet with polished chrome plated brass body
- 5 7/8" swivel gooseneck
- Serrated tip outlet
- Eterna compression cartridges
- 4-arm handles w/ color coded indexes
- 1/2" NPT female adjustable arm inlets w/ Ø2" flanges
- Adjustable centers from 2 1/4" to 8 1/4" above or below centerline
- Material: Polished chrome plated brass body & tubular spout and chrome plated metal handles

Product Compliance:

- ASME A112.18.1 / CSA B125.1
- NSF 61 - Section 9
- NSF 372 (Low Lead Content)
- ANSI A117.1 (ADA)



Warranty: One Year (Limited)



Performance Data:

- Pressure: 20 - 125 psi
- Temperature: 40 °F - 140 °F
- Flow Rate: 5.00 GPM @ 60 psi

Optional Cartridges

- Quarter-Turn Cerama
- Eterna (Standard)
- Quarter-Turn Eterna

Optional Handles

- 4" Wrist Action
- Lever
- 4-Arm (Standard)

