



**Architect/Engineering Specifications:**

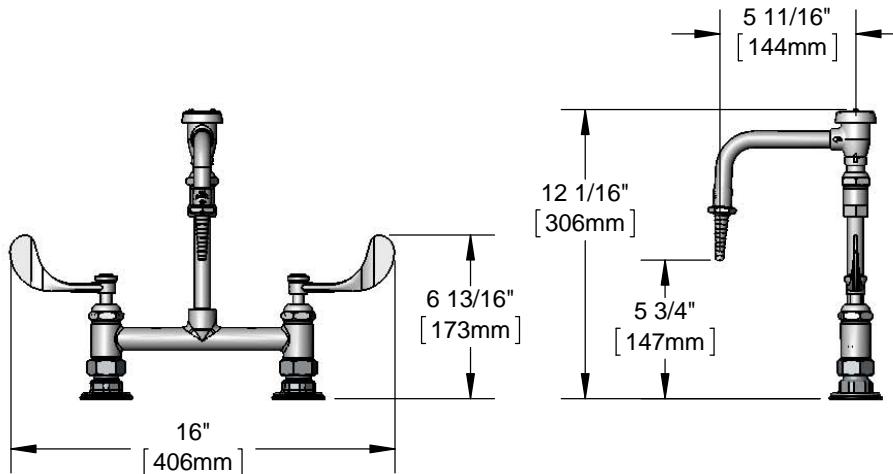
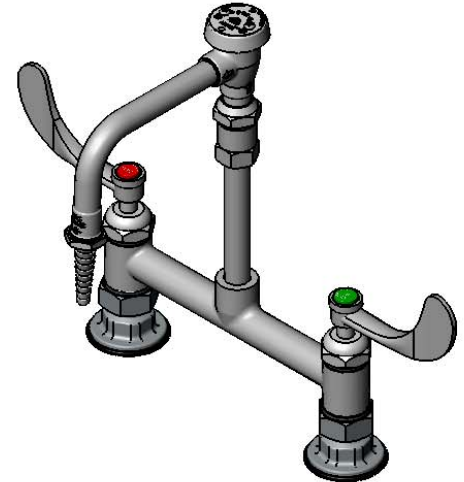
8" deck mount mixing faucet with polished chrome plated brass body, 5" riser, polished chrome plated swivel nozzle with vacuum breaker and serrated tip outlet, rigid to swivel adapter, ceramic cartridges, 4" wrist action handles and 1/2" NPT female inlets. Certified to ASME A112.18.1 / CSA B125.1, NSF 61-Section 9, NSF 372 and ASSE 1001. Meets ADA ANSI/ICC A117.1 requirements.

Job Name \_\_\_\_\_

Model Specified \_\_\_\_\_ Quantity \_\_\_\_\_

Variations Specified \_\_\_\_\_

Date \_\_\_\_\_



**Features & Benefits:**

- 8" deck mount mixing faucet w/ polished chrome plated brass body
- Polished chrome plated swivel nozzle w/ 3/8" NPT vacuum breaker & serrated tip outlet
- Quarter-turn Cerama cartridges
- 4" wrist action handles w/ color coded indexes
- 1/2" NPSM female eccentric inlets with  $\phi$ 2" flanges
- Adjustable centers from 7 3/4" to 8 1/4"
- Material: Polished chrome plated brass body, rigid to swivel body & tubular spout and polished chrome metal handles

**Product Compliance:**

- ASME A112.18.1 / CSA B125.1
- NSF 61 - Section 9
- NSF 372 (Low Lead Content)
- ANSI A117.1 (ADA)
- ASSE 1001 (VB)



**Warranty:** One Year (Limited)

- Cerama Cartridge: Lifetime (Limited)



ADA Compliant

**Performance Data:**

- Pressure: 20 - 125 psi
- Temperature: 40 °F - 180 °F
- Flow Rate: TBD GPM @ 60 psi



**Optional Handles**

- 4" Wrist Action (Standard)
- Lever
- 4-Arm

**Optional Cartridges**

- Quarter-Turn Cerama (Standard)
- Eterna
- Quarter-Turn Eterna

