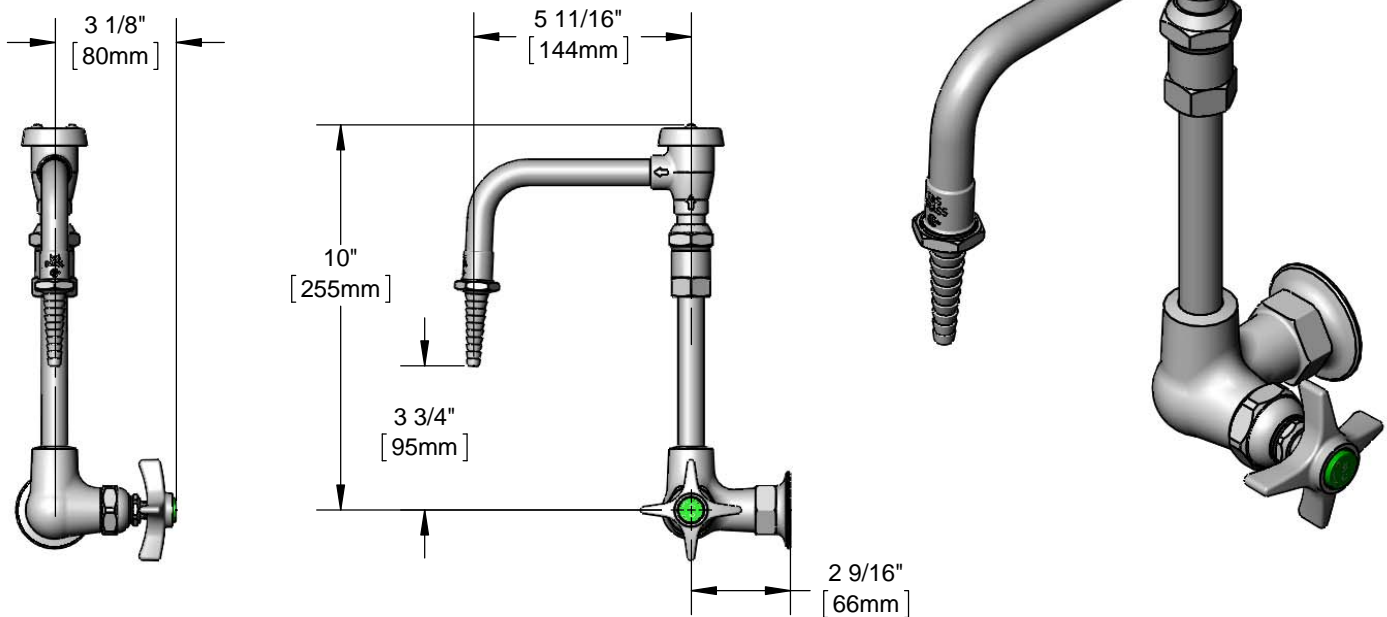




Architect/Engineering Specifications:

Single hole wall mount mixing faucet with polished chrome plated brass body, 5" riser, swivel adapter, polished chrome plated rigid nozzle with vacuum breaker and serrated tip outlet, compression cartridge, 4-arm and 1/2" NPSM male inlet. Certified to ASME A112.18.1 / CSA B125.1, NSF 61-Section 9, NSF 372 and ASSE 1001. Meets ADA ANSI/ICC A117.1 requirements.

Job Name _____
 Model Specified _____ Quantity _____
 Variations Specified _____
 Date _____



Features & Benefits:

- Single hole wall mount mixing faucet w/ polished chrome plated brass body
- Polished chrome plated rigid nozzle with serrated tip outlet
- 5" riser
- Swivel adapter
- 3/8" NPT vacuum breaker
- Eterna compression cartridge
- 4-arm handle w/ color coded index
- 1/2" NPT female inlet
- Material: Polished chrome plated brass body, tubular spout and metal handle

Product Compliance:

- ASME A112.18.1 / CSA B125.1
- NSF 61 - Section 9
- NSF 372 (Low Lead Content)
- ANSI A117.1 (ADA)
- ASSE 1001 (VB)

Warranty: One Year (Limited)

Performance Data:

- Pressure: 20 - 125 psi
- Temperature: 40 °F - 140 °F
- Flow Rate: 3.89 GPM @ 60 psi



ADA Compliant

Optional Cartridges

- Quarter-Turn Cerama
- Eterna (Standard)
- Quarter-Turn Eterna

Optional Handles

- 4" Wrist Action
- Lever
- 4-Arm (Standard)

