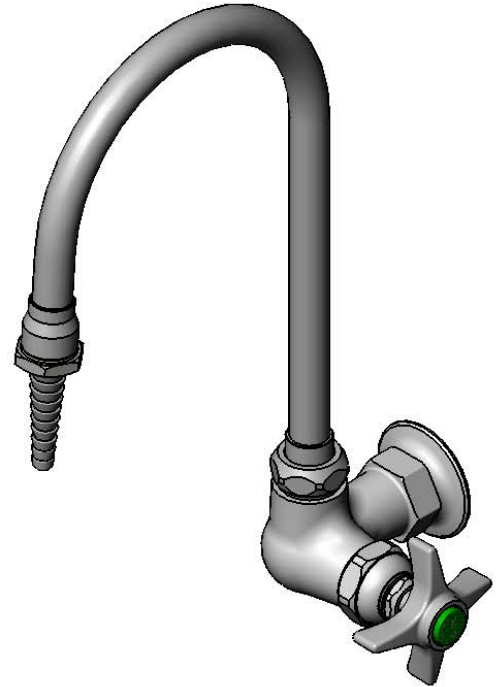
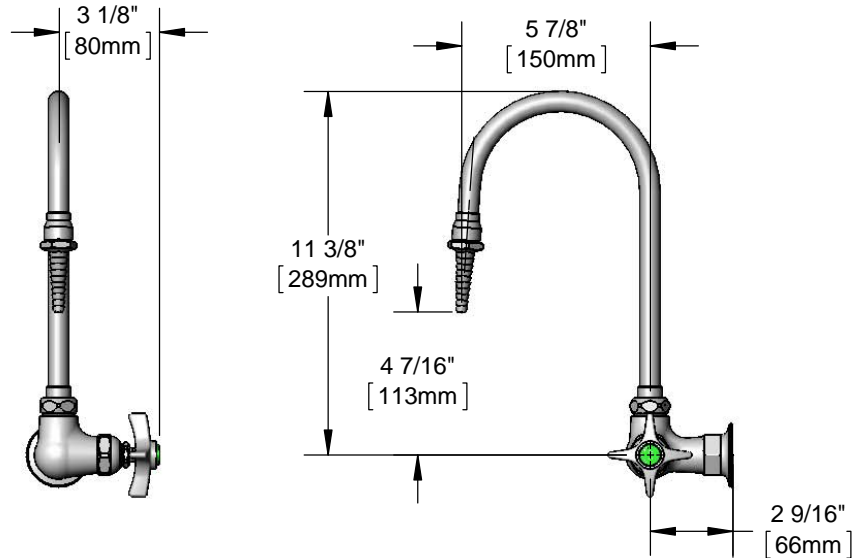




**Architect/Engineering Specifications:**

Single hole single temperature wall mount faucet with polished chrome plated brass body, 5 7/8" swivel gooseneck with serrated tip outlet, compression cartridge, 4-arm handle and 1/2" NPT female inlet. ASME A112.18.1 / CSA B125.1, NSF 61 - Section 9 and NSF-372. Meets ADA ANSI/ICC A117.1 requirements.

Job Name \_\_\_\_\_  
 Model Specified \_\_\_\_\_ Quantity \_\_\_\_\_  
 Variations Specified \_\_\_\_\_  
 Date \_\_\_\_\_



**Features & Benefits:**

- Single hole single temperature wall mount faucet w/ polished chrome plated brass body
- 5 7/8" swivel goosneck w/ serrated tip outlet
- Eterna compression cartridge
- 4-arm handle w/ color coded index
- 1/2" NPT female inlet
- Material: Polished chrome plated brass body & tubular spout, polished chrome metal handle

**Product Compliance:**

- ASME A112.18.1 / CSA B125.1
- NSF 61 - Section 9
- NSF 372 (Low Lead Content)
- ANSI A117.1 (ADA)

**Warranty:** One Year (Limited)

**Performance Data:**

- Pressure: 20 - 125 psi
- Temperature: 40 °F - 140 °F
- Flow Rate: TBD GPM @ 60 psi



ADA Compliant

**Optional Handles**

- 4" Wrist Action
- Lever
- 4-Arm (Standard)

**Optional Cartridges**

- Quarter-Turn Cerama
- Eterna (Standard)
- Quarter-Turn Eterna

