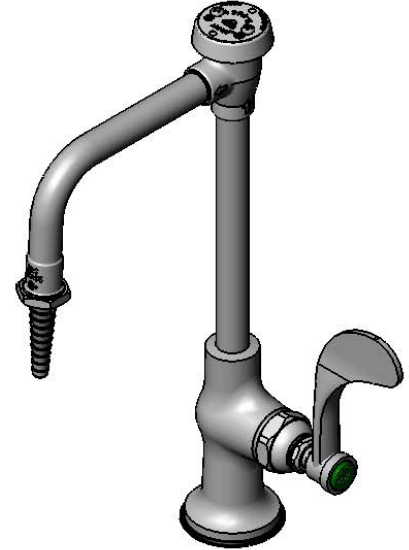
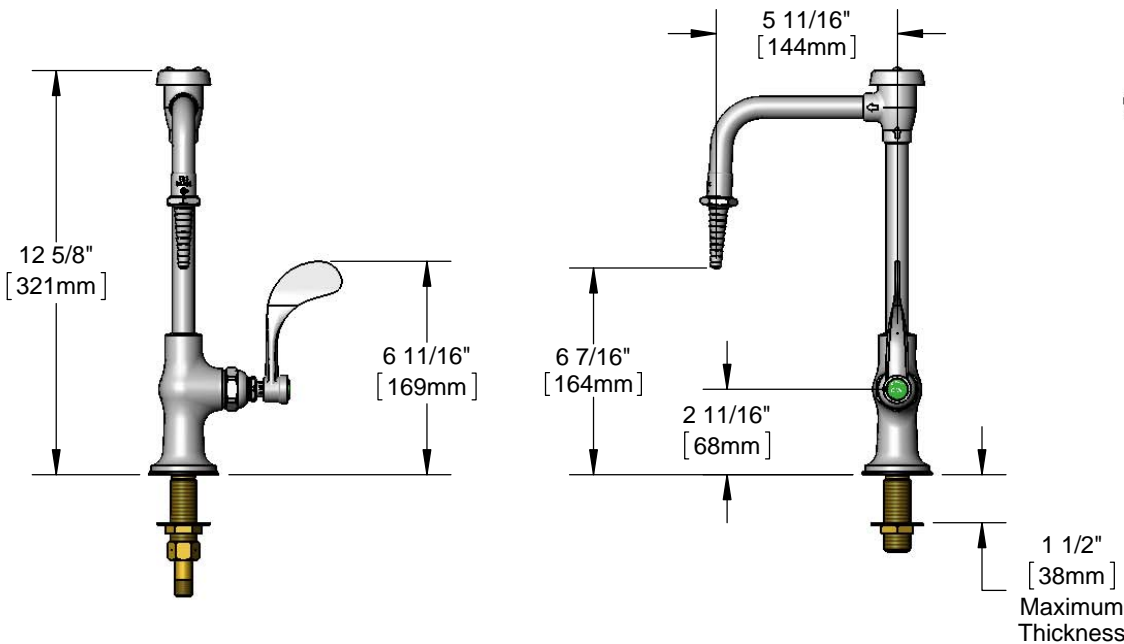




Architect/Engineering Specifications:

Single hole deck mount mixing faucet with polished chrome plated brass body, 7" riser, polished chrome plated rigid nozzle with vacuum breaker and serrated tip outlet, compression cartridge 4" wrist action handle and 1/2" NPSM male inlet. Certified to ASME A112.18.1 / CSA B125.1, NSF 61-Section 9, NSF 372 and ASSE 1001. Meets ADA ANSI/ICC A117.1 requirements.

Job Name _____
 Model Specified _____ Quantity _____
 Variations Specified _____
 Date _____



Features & Benefits:

- Single hole deck mount mixing faucet w/ polished chrome plated brass body
- Polished chrome plated rigid nozzle w/ 3/8" NPT vacuum breaker & serrated tip outlet
- Eterna compression cartridge
- 4" wrist action handle w/ color coded index
- 1/2" NPSM male inlet
- Material: Polished chrome plated brass body, tubular spout and metal handle

Product Compliance:

- ASME A112.18.1 / CSA B125.1
- NSF 61 - Section 9
- NSF 372 (Low Lead Content)
- ANSI A117.1 (ADA)
- ASSE 1001 (VB)

Warranty: One Year (Limited)

Performance Data:

- Pressure: 20 - 125 psi
- Temperature: 40 °F - 140 °F
- Flow Rate: 3.89 GPM @ 60 psi



ADA Compliant

Optional Cartridges

- Quarter-Turn Cerama
- Eterna (Standard)
- Quarter-Turn Eterna

Optional Handles

- 4" Wrist Action (Standard)
- Lever
- 4-Arm

