



**Architect/Engineering Specifications:**

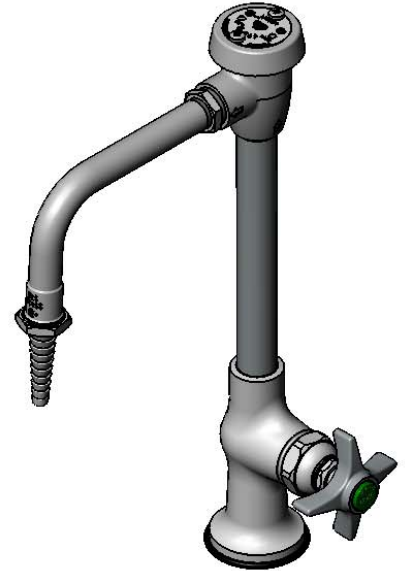
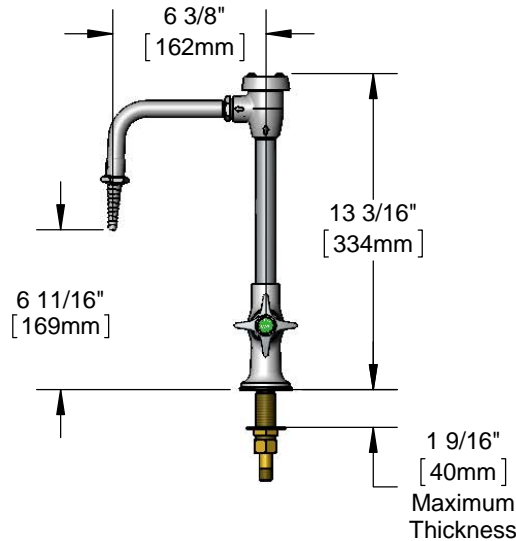
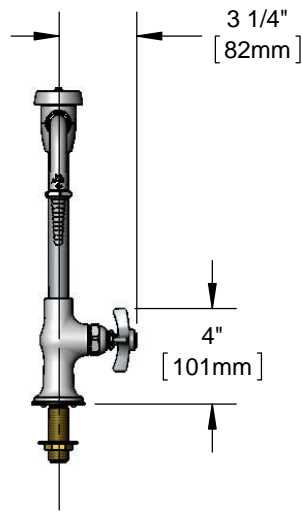
Single hole single temperature deck mount faucet with polished chrome plated brass body, 7 1/8" riser, polished chrome plated rigid nozzle with vacuum breaker and serrated tip outlet, compression cartridge, 4-arm handle and 1/2" NPSM male inlet. Certified to ASME A112.18.1 / CSA B125.1, NSF 61-Section 9, NSF 372 and ASSE 1001. Meets ADA ANSI/ICC A117.1 requirements.

Job Name \_\_\_\_\_

Model Specified \_\_\_\_\_ Quantity \_\_\_\_\_

Variations Specified \_\_\_\_\_

Date \_\_\_\_\_



**Features & Benefits:**

- Single hole single temperature deck mount faucet w/ polished chrome plated brass body
- Polished chrome plated rigid nozzle w/ 1/2" NPT vacuum breaker & serrated tip outlet
- Eterna compression cartridge
- 4-arm handle w/ color coded index
- 1/2" NPSM male inlet
- (2) brass balls at bottom of faucet body for vandal resistance
- Material: Polished chrome plated brass body, tubular spout and handle and brass balls

**Product Compliance:**

- ASME A112.18.1 / CSA B125.1
- NSF 61 - Section 9
- NSF 372 (Low Lead Content)
- ANSI A117.1 (ADA)
- ASSE 1001 (VB)

**Warranty:** One Year (Limited)

**Performance Data:**

- Pressure: 20 - 125 psi
- Temperature: 40 °F - 140 °F
- Flow Rate: 3.89 GPM @ 60 psi



ADA Compliant



**Optional Handles**

- 4" Wrist Action
- Lever
- 4-Arm (Standard)

**Optional Cartridges**

- Quarter-Turn Cerama
- Eterna (Standard)
- Quarter-Turn Eterna

