



Architect/Engineering Specifications:

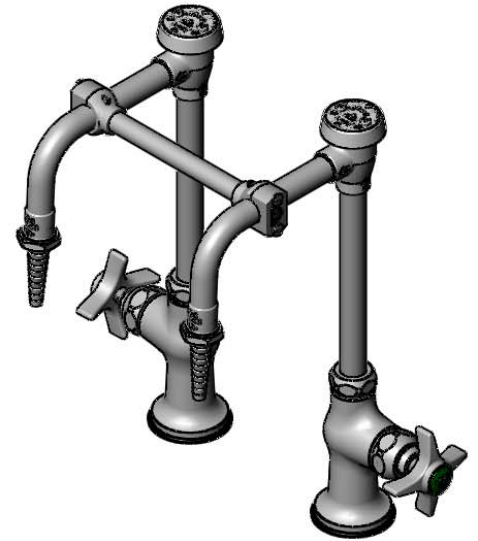
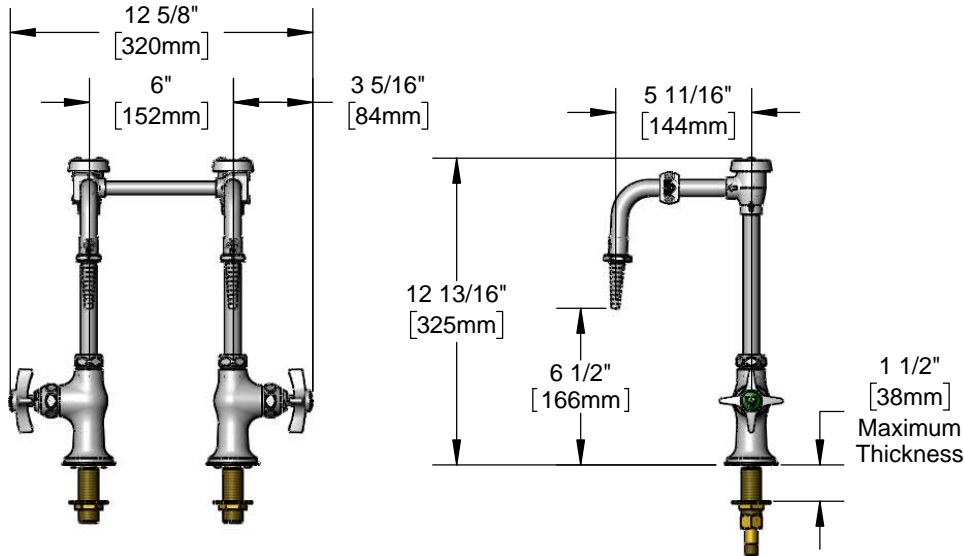
Combination science table vandal resistant deck mount faucets with polished chrome plated brass body, swivel nozzles with vacuum breakers and serrated tip outlets, compression cartridges with spring checks, 4-arm handles, vandal resistant handle screws, and 1/2" NPSM male inlets. Certified to ASME A112.18.1 / CSA B125.1, NSF 61-Section 9, NSF 372 and ASSE 1001. Meets ADA ANSI/ICC A117.1 requirements.

Job Name _____

Model Specified _____ Quantity _____

Variations Specified _____

Date _____



Features & Benefits:

- Combination science table vandal resistant deck mount faucet w/ polished chrome plated brass body
- Polished chrome plated swivel nozzles w/ 3/8" NPT vacuum breakers & serrated tip outlets
- Quarter-turn Eterna compression cartridges w/ spring checks
- 4-arm handles w/ VR screws & color coded indexes
- 1/2" NPSM male inlets
- (2) brass balls at bottom of faucet bodies for vandal resistance
- Material: Polished chrome plated brass body, tubular spout and handle and brass balls

Product Compliance:

- ASME A112.18.1 / CSA B125.1
- NSF 61 - Section 9
- NSF 372 (Low Lead Content)
- ANSI A117.1 (ADA)
- ASSE 1001 (VB)

Warranty: One Year (Limited)

Performance Data:

- Pressure: 20 - 125 psi
- Temperature: 40 °F - 140 °F
- Flow Rate: 3.89 GPM @ 60 psi



ADA Compliant



Optional Handles

- 4" Wrist Action
- Lever
- 4-Arm (Standard)

Optional Cartridges

- Quarter-Turn Cerama w/ Check Valve
- Quarter-Turn Eterna w/ Spring Check (Standard)

