



Architect/Engineering Specifications:

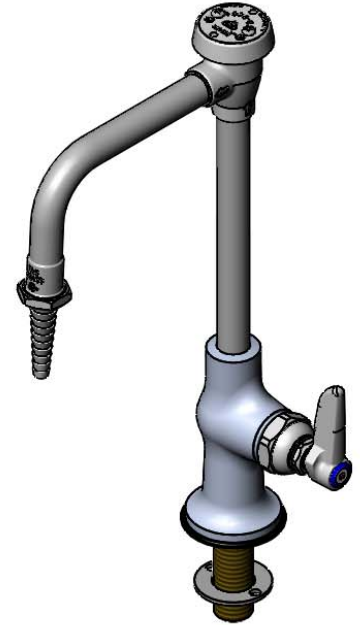
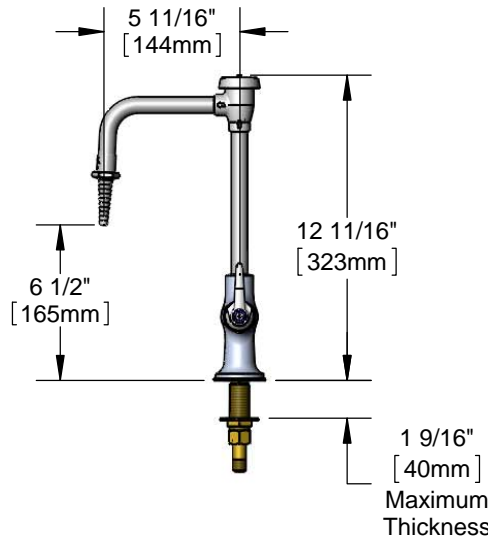
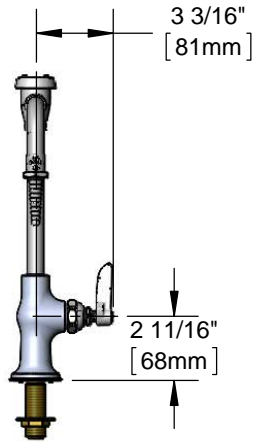
Single hole single temperature deck mount faucet with polished chrome plated brass body, 7" riser, polished chrome plated rigid nozzle with vacuum breaker and serrated tip outlet, compression cartridge, lever handle with vandal resistant screw and 1/2" NPSM male inlet. ASME A112.18.1 / CSA B125.1, NSF 61 - Section 9, NSF-372 and ASSE 1001. Meets ADA ANSI/ICC A117.1 requirements.

Job Name _____

Model Specified _____ Quantity _____

Variations Specified _____

Date _____



Features & Benefits:

- Single hole single temperature deck mount faucet w/ polished chrome plated brass body
- Polished chrome plated rigid nozzle w/ 3/8" NPT vacuum breaker & serrated tip outlet
- Eterna compression cartridge
- Lever handle w/ color coded index and vandal resistant screw
- 1/2" NPSM male inlet
- Material: Polished chrome plated brass body & tubular spout, polished chrome metal handle

Product Compliance:

- ASME A112.18.1 / CSA B125.1
- NSF 61 - Section 9
- NSF 372 (Low Lead Content)
- ANSI A117.1 (ADA)
- ASSE 1001 (VB)

Warranty: One Year (Limited)

Performance Data:

- Pressure: 20 - 125 psi
- Temperature: 40 °F - 140 °F
- Flow Rate: 3.89 GPM @ 60 psi



ADA Compliant



Optional Handles

- 4" Wrist Action
- Lever (Standard)
- 4-Arm

Optional Cartridges

- Quarter-Turn Cerama
- Eterna (Standard)
- Quarter-Turn Eterna

