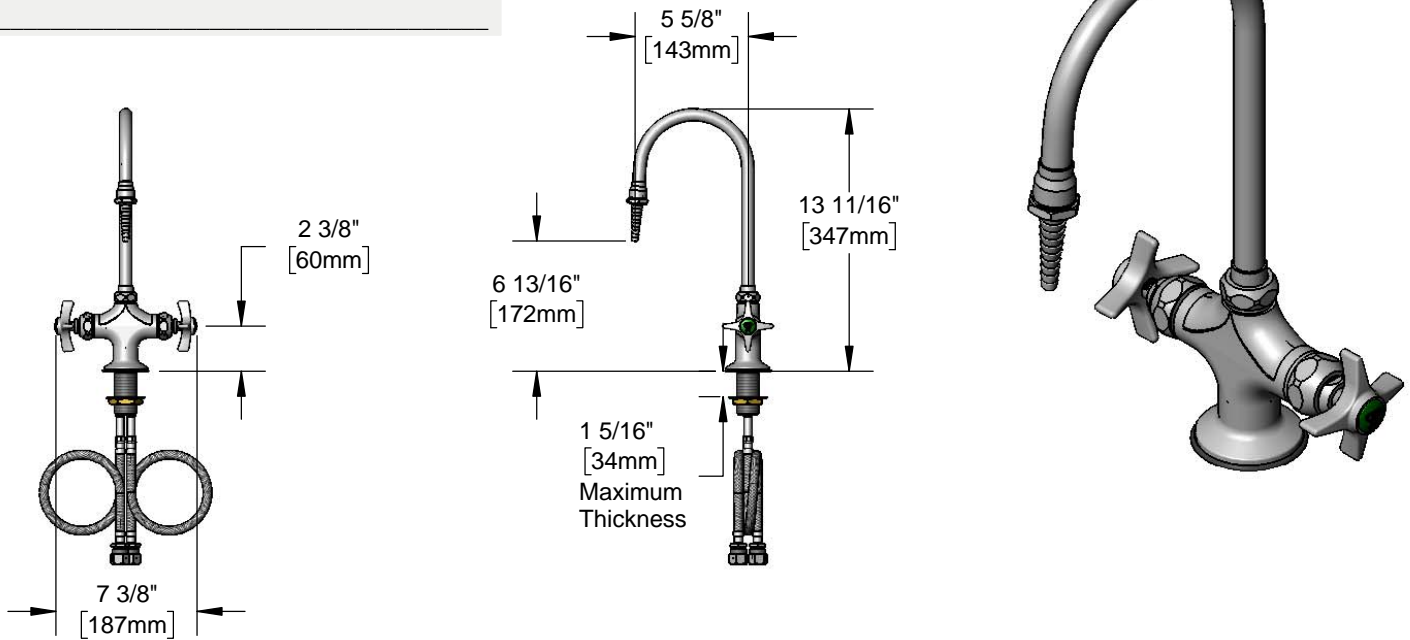




**Architect/Engineering Specifications:**

Single hole deck mount mixing faucet with polished chrome plated brass body, polished chrome plated swivel/rigid gooseneck with serrated tip outlet, compression cartridges with spring checks, 4-arm handles and 18" flexible stainless steel supply hoses with 1/2" NPSM / 5/8" compression connections. Certified to ASME A112.18.1 / CSA B125.1, NSF 61-Section 9 and NSF 372. Meets ADA ANSI/ICC A117.1 requirements.

Job Name	_____
Model Specified	_____
Quantity	_____
Variations Specified	_____
Date	_____



**Features & Benefits:**

- Single hole deck mount mixing faucet w/ polished chrome plated brass body
- Polished chrome plated 5 5/8" swivel gooseneck w/ serrated tip outlet.
- Convert swivel gooseneck to rigid with included lock washer
- Quarter-turn Eterna compression cartridges with spring checks to prevent cross flow of water
- 4-arm handles w/ color coded indexes
- Plastic mounting gasket
- 18" flexible stainless steel supply hoses w/ 1/2" NPSM / 5/8" compression connections
- Material: Polished chrome plated brass body, tubular spout & handles

**Product Compliance:**

- ASME A112.18.1 / CSA B125.1
- NSF 61 - Section 9
- NSF 372 (Low Lead Content)
- ANSI A117.1 (ADA)

**Warranty:** One Year (Limited)

**Performance Data:**

- Pressure: 20 - 125 psi
- Temperature: 40 °F - 140 °F
- Flow Rate: 4.32 GPM @ 60 psi



**Optional Handles**

- 4" Wrist Action
- Lever
- 4-Arm (Standard)

**Optional Cartridges**

- Quarter-Turn Cerama w/ Check Valves
- Quarter-Turn Eterna w/ Spring Checks (Standard)

