

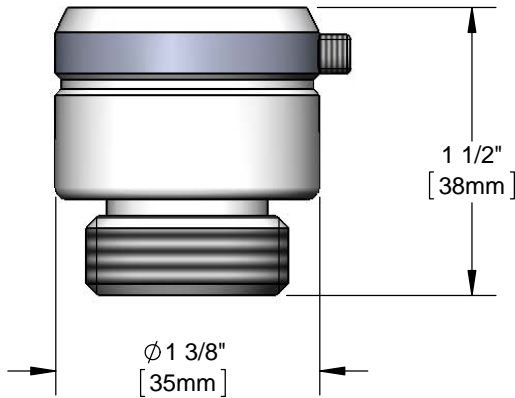


*Atmospheric Vacuum Breaker*

**Architect/Engineering Specifications:**

Atmospheric vacuum breaker with polished chrome plated brass body, 3/4" garden hose female inlet and male outlet. Certified to ASME A112.18.1, NSF 61-Section 9, NSF 372 and ASSE 1011.

Job Name \_\_\_\_\_  
 Model Specified \_\_\_\_\_ Quantity \_\_\_\_\_  
 Variations Specified \_\_\_\_\_  
 Date \_\_\_\_\_



**Features & Benefits:**

- Atmospheric vacuum breaker w/ polished chrome plated brass body
- 3/4" garden hose female inlet and outlet
- Material: Polished chrome plated brass body

**Product Compliance:**

- ASME A112.18.1 / CSA B125.1
- NSF 61 - Section 9
- NSF 372 (Low Lead Content)
- ASSE 1011

**Warranty:** One Year (Limited)

**Performance Data:**

- Pressure: 20 - 125 psi
- Temperature: 40 °F - 140 °F
- Flow Rate: 13.90 GPM @ 60 psi

