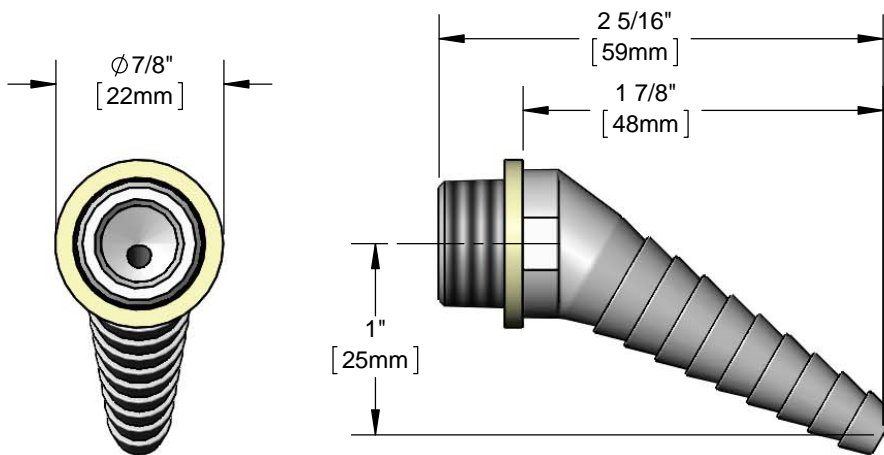
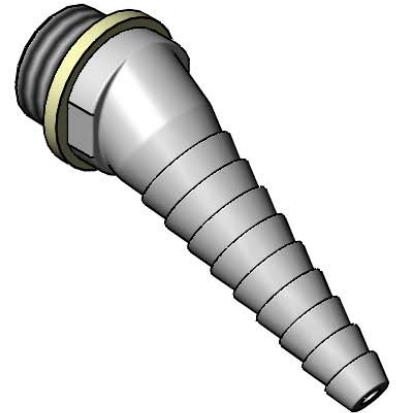




Architect/Engineering Specifications:

Angle serrated tip outlet with polished chrome plated brass body and 3/8" NPT male inlet. Certified to ASME A112.18.1 / CSA B125.1, NSF 61-Section 9, and NSF 372 .

Job Name _____
 Model Specified _____ Quantity _____
 Variations Specified _____
 Date _____



Features & Benefits:

- Angle serrated tip outlet with polished chrome plated brass body
- 3/8" NPT male inlet
- Serrated hose end accepts rubber or plastic tubing up to 1/2" I.D
- Fits laboratory goosenecks and nozzles
- Material: Polished chrome plated brass body

Product Compliance:

- ASME A112.18.1 / CSA B125.1N/A
- NSF 61 - Section 9
- NSF 372 (Low Lead Content)



Warranty: One Year (Limited)

Performance Data:

- N/A

