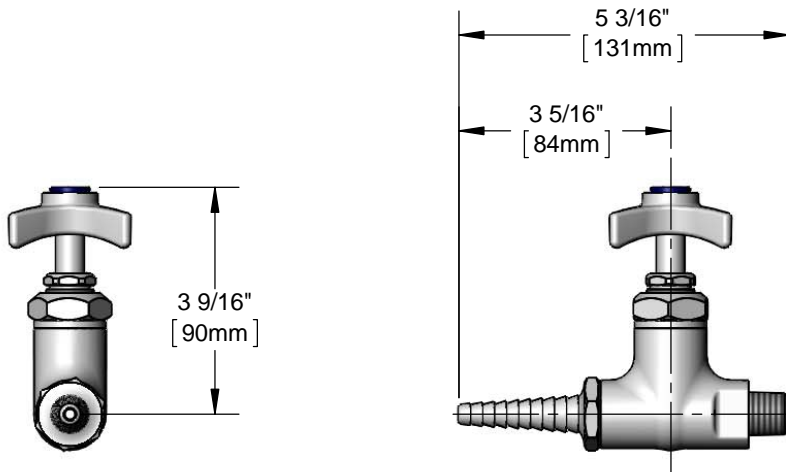




Architect/Engineering Specifications:

Laboratory straight stop with polished chrome plated brass body, internal stainless steel cone, removable serrated tip outlet (accepts 1/4" to 3/8" I.D hose), 4-arm handle and 3/8" NPT male inlet. Certified to ANSI Z21.15a / CSA 9.1a. Meets ADA ANSI/ICC A117.1 requirements.

Job Name _____
Model Specified _____ Quantity _____
Variations Specified _____
Date _____



Features & Benefits:

- Laboratory straight stop w/ polished chrome plated brass body
- Internal floating stainless steel cone regulates gas flow as handle is turned
- Removable serrated tip outlet, fits 1/4" to 3/8" I.D. hoses
- 4-arm handle w/ color coded index
- 3/8" NPT female inlet
- Material: Polished chrome plated brass body

Product Compliance:

- ANSI Z21.15a / CSA 9.1a
- ANSI A117.1 (ADA)



Warranty: One Year (Limited)



Performance Data:

- Pressure:
 - Gas - 0.5 psi max
 - Air - 125 psi max
 - Vacuum - 30 inches of Mercury max
- Temperature: 32°F - 125°F

