



Architect/Engineering Specifications:

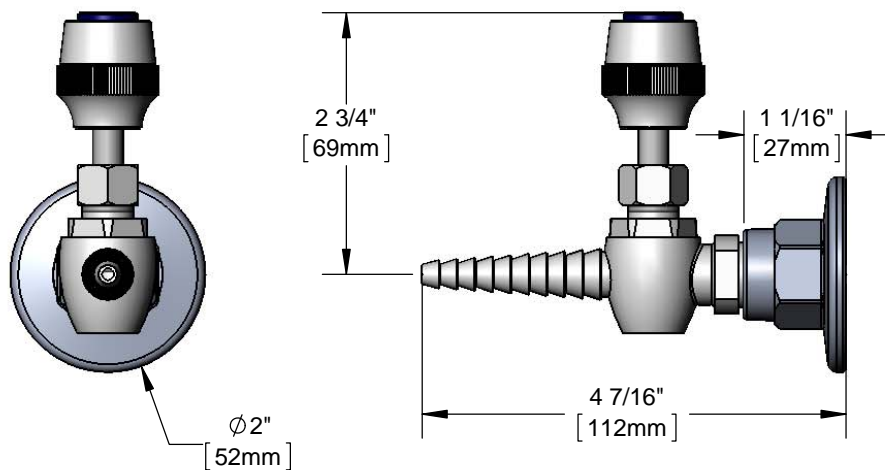
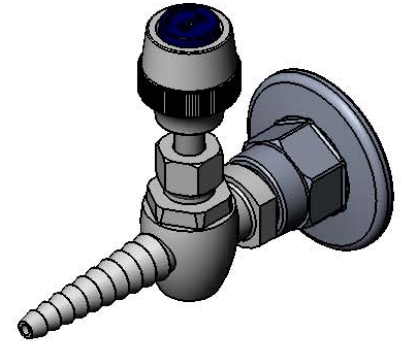
Laboratory panel flange with polished chrome plated body, needle valve hose cock for gas, air or vacuum with serrated tip outlet (accepts 1/4" to 3/8" I.D. hose) and 3/8" NPT female inlet. Certified to Z21.15a / CSA 9.1a.

Job Name _____

Model Specified _____ Quantity _____

Variations Specified _____

Date _____



Features & Benefits:

- Laboratory panel flange with polished chrome plated body
- Needle valve hose cock w/ serrated tip (accepts 1/4" to 3/8" I.D. hose)
- Hose cock for gas, air or vacuum
- Natural gas (dark blue) snap-in index included
- Air (orange) Snap-in index included
- Vacuum (yellow) snap-in index included
- $\varnothing 2"$ panel flange w/ 3/8" NPT female inlet
- Material: Polished chrome plated brass panel flange & ball valve hose cock

Product Compliance:

- ANSI Z21.15a / CSA 9.1a (Gas Valves)



Warranty: One Year (Limited)

Performance Data:

- Pressure
 - Gas: 0.5 psig max
 - Air : 80 psig max
 - Vacuum: 30 Inches of Mercury max
- Temperature: 32 °F - 125 °F

