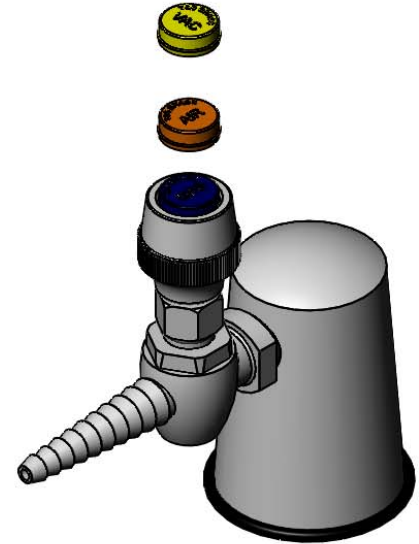
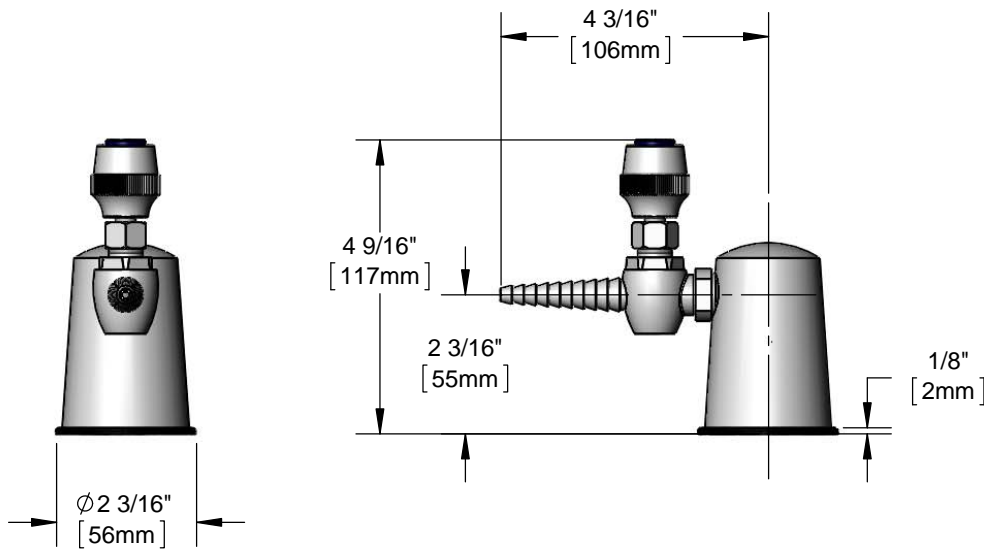




Architect/Engineering Specifications:

Laboratory Turret with polished chrome plated brass body, serrated tip outlet and 3/8" NPT female inlet. Certified to ANSI Z21.15a / CSA 9.1a.

Job Name _____
 Model Specified _____ Quantity _____
 Variations Specified _____
 Date _____



Features & Benefits:

- Laboratory turret with polished chrome plated brass body
- Serrated tip outlet, fits 1/4" to 3/8" I.D. hoses
- 3/8" NPT female inlet in base
- Black plastic base gasket
- Material: Polished chrome plated brass body

Product Compliance:

- ANSI Z21.15a / CSA 9.1a (Gas Valves)



Warranty: One Year (Limited)

Performance Data:

- Pressure:
 - Gas - 0.5 psi max
 - Air - 80 psi max
 - Vacuum - 30 inches of Mercury max
- Temperature: 32 °F - 125 °F

