



Laboratory Products
BL-4203-01

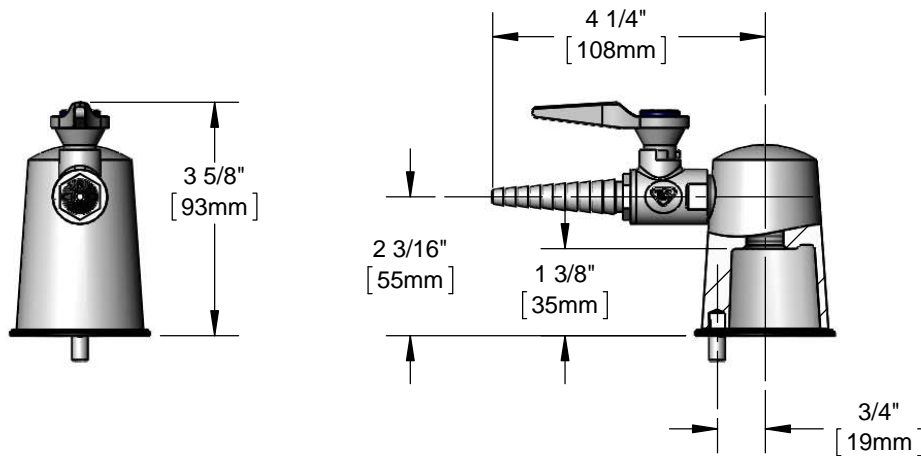
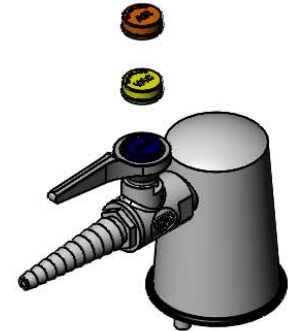
TAG:

Laboratory Hose Cock

Architect/Engineering Specifications:

Laboratory turret with polished chrome plated brass body and handle, serrated tip outlet and 3/8" NPT female inlet. Certified to ANSI Z21.15a / CSA 9.1a. Meets ADA ANSI/ICC A117.1 requirements.

Job Name _____
 Model Specified _____ Quantity _____
 Variations Specified _____
 Date _____



Features & Benefits:

- Ball valve hose cock w/ polished chrome plated brass body & handle
- Serrated tip outlet, fits 1/4" to 3/8" I.D. hoses
- Snap-in color coded indexes (gas, vacuum & air included)
- 3/8" NPT female inlet
- Material: Polished chrome plated brass body & handle

Product Compliance:

- ANSI Z21.15a / CSA 9.1a (Gas Valves)
- ANSI A117.1 (ADA)



Warranty: One Year (Limited)



ADA Compliant

Performance Data:

- Pressure:
 - Gas - 0.5 psi max
 - Air - 125 psi max
 - Vacuum - 30 inches of Mercury max
- Temperature: 32 °F - 125 °F



T&S BRASS AND BRONZE WORKS, INC.



• 2 Saddleback Cove • Travelers Rest, SC 29690
 Ph 800-476-4103 • Fax 864-834-3518
 • Simi Valley, CA • Ph 800-423-0150 • www.tsbrass.com

Date: 12/22/15