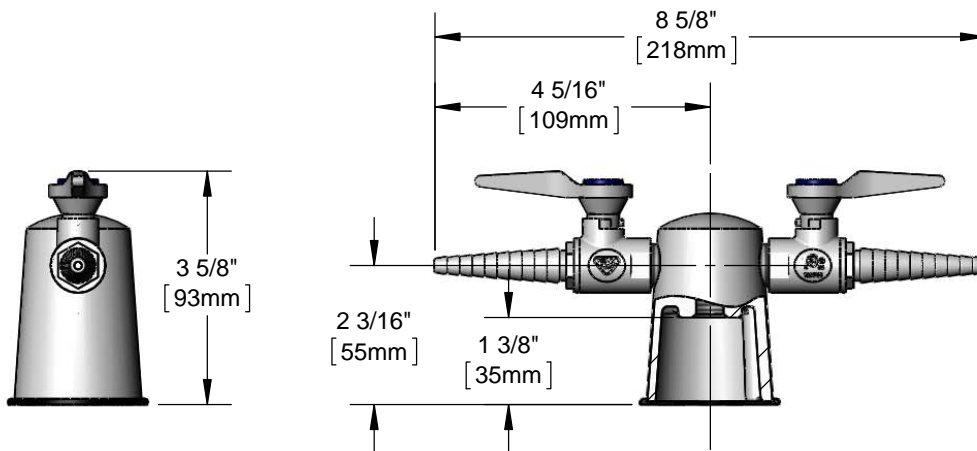
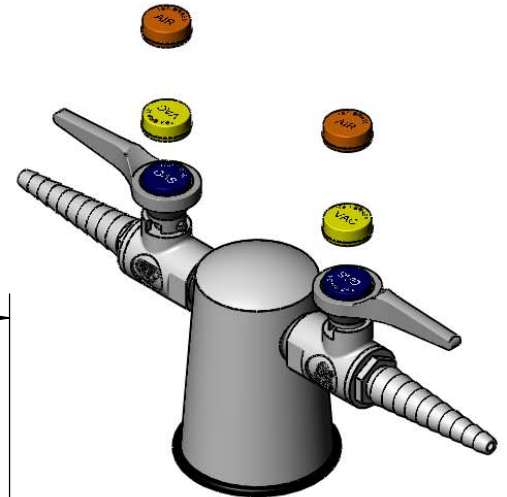




**Architect/Engineering Specifications:**

Laboratory turret with polished chrome plated brass body, (2) serrated tip outlets at 180 degrees and 3/8" NPT female inlet. Certified to ANSI Z21.15a / CSA 9.1a. Meets ADA ANSI/ICC A117.1 requirements.

Job Name \_\_\_\_\_  
 Model Specified \_\_\_\_\_ Quantity \_\_\_\_\_  
 Variations Specified \_\_\_\_\_  
 Date \_\_\_\_\_



**Features & Benefits:**

- Laboratory turret with polished chrome plated brass body
- (2) serrated tip at 180 degrees, fits 1/4" to 3/8" I.D. hoses
- 3/8" NPT female inlet in base
- Black plastic base gasket
- Material: Polished chrome plated brass body

**Product Compliance:**

- ANSI Z21.15a / CSA 9.1a
- ANSI A117.1 (ADA)

**Warranty:** One Year (Limited)

**Performance Data:**

- N/A



**ADA Compliant**

