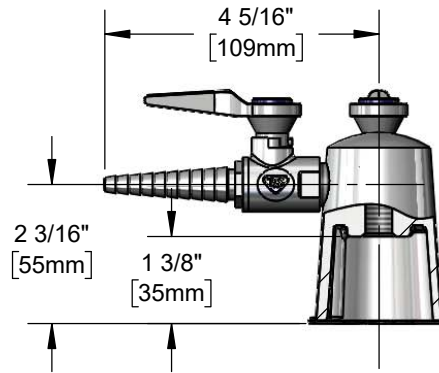
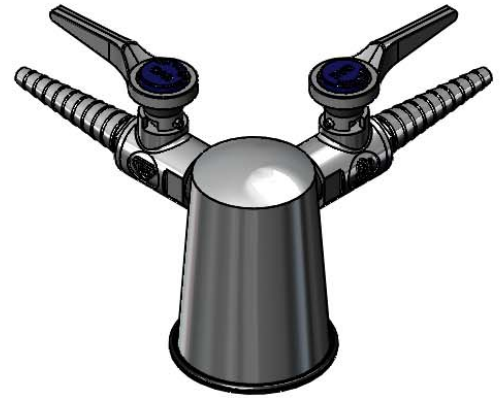




Architect/Engineering Specifications:

Laboratory turret with polished chrome plated brass body, (2) serrated tip outlets at 90 degrees and 3/8" NPT female inlet. Certified to ANSI Z21.15a / CSA 9.1a. Meets ADA ANSI/ICC A117.1 requirements.

Job Name _____
 Model Specified _____ Quantity _____
 Variations Specified _____
 Date _____



Features & Benefits:

- Laboratory turret with polished chrome plated brass body
- (2) Serrated tip outlets at 90 degrees, fits 1/4" to 3/8" I.D. hoses
- For natural gas above 0.5 psig or Oxygen and specialty gases, use BL-4010-01 gas cock
- 3/8" NPT female inlet in base
- Black plastic base gasket
- Material: Polished chrome plated brass body

Product Compliance:

- ANSI Z21.15a / CSA 9.1a
- ANSI A117.1 (ADA)



Warranty: One Year (Limited)



ADA Compliant

Performance Data:

- Pressure:
 - Gas - 0.5 psig max
 - Air - 125 psig max
 - Vacuum - 30 inches of Mercury max

