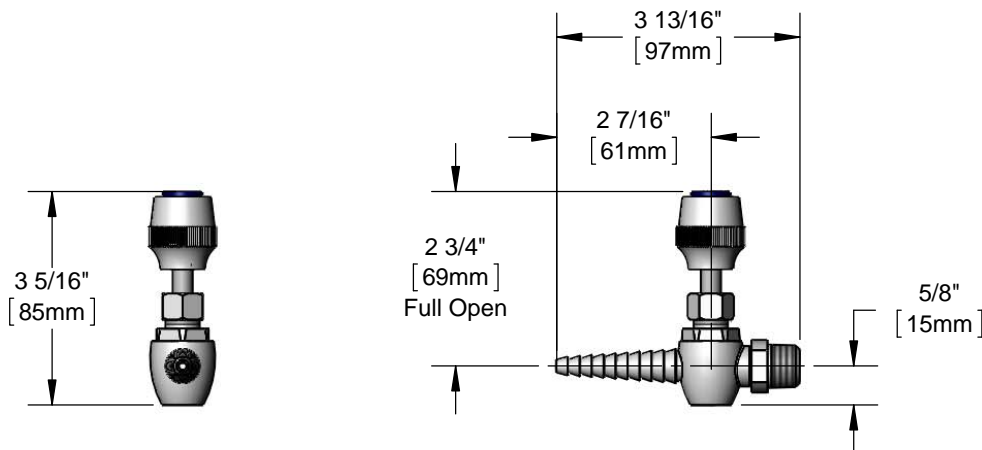




**Architect/Engineering Specifications:**

Needle valve hose cock with chrome plated brass body and handle, serrated tip outlet and 3/8" NPT male inlet.  
ANSI Z21.15a / CSA 9.1a.

Job Name \_\_\_\_\_  
 Model Specified \_\_\_\_\_ Quantity \_\_\_\_\_  
 Variations Specified \_\_\_\_\_  
 Date \_\_\_\_\_



**Features & Benefits:**

- Needle valve hose cock w/ chrome plated brass body & handle
- Special packing in valve suitable for Oxygen, Hydrogen and other special gases
- Serrated tip outlet
- Snap-in color coded indexes (gas, vacuum & air included)
- 3/8" NPT male inlet
- Material: Chrome plated brass body & handle

**Product Compliance:**

- ANSI Z21.15a / CSA 9.1a (Gas Valves)



**Warranty:** One Year (Limited)

**Performance Data:**

- Pressure:
  - Fuel Gas - 0.5 psi max
  - Other Gases Including Air - 80 psi max
  - Vacuum - 30 inches of Mercury max
- Temperature: 32 °F - 125 °F

