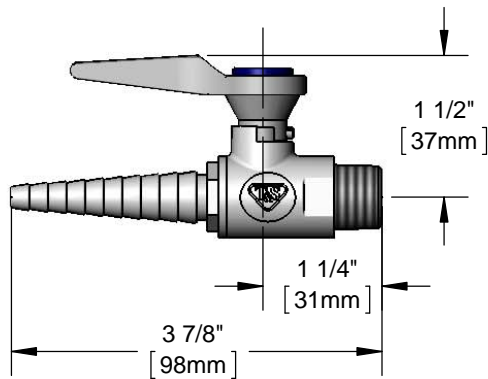
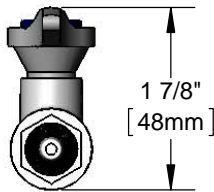
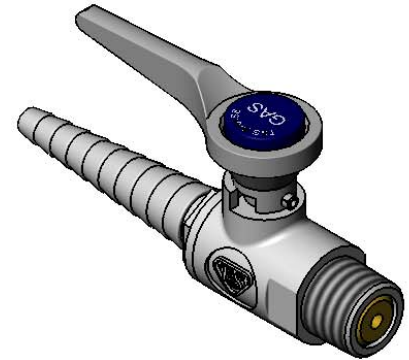




Architect/Engineering Specifications:

Ball valve hose cock with chrome plated brass body and handle, serrated tip outlet, check valve and 3/8" NPT male inlet. ANSI Z21.15a / CSA 9.1a. Meets ADA ANSI/ICC A117.1 requirements.

Job Name _____
 Model Specified _____ Quantity _____
 Variations Specified _____
 Date _____



Features & Benefits:

- Ball valve hose cock w/ chrome plated brass body & handle
- Serrated tip outlet accepts 1/4" to 3/8" I.D. hose
- Snap-in color coded indexes (gas & air included)
- Check valve included in inlet
- 3/8" NPT male inlet
- Material: Chrome plated brass body & handle

Product Compliance:

- ANSI Z21.15a / CSA 9.1a (Gas Valves)
- ANSI A117.1 (ADA)



ADA Compliant

Warranty: One Year (Limited)

Performance Data:

- Pressure:
 - Gas - 0.5 psi max
 - Air - 125 psi max
- Temperature: 40 °F - 125 °F

