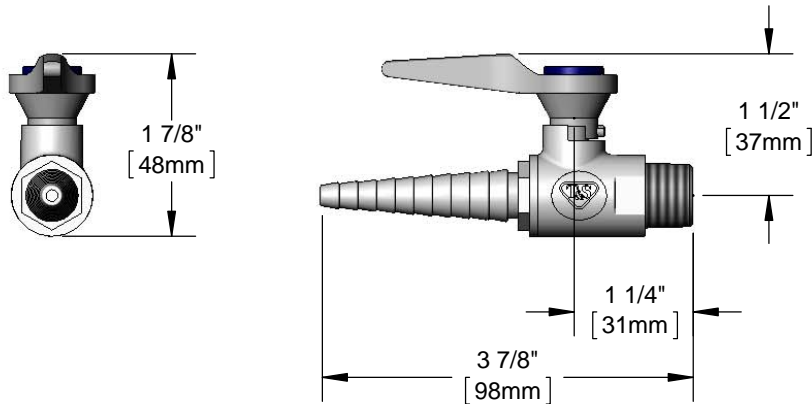




**Architect/Engineering Specifications:**

Ball valve hose cock with chrome plated brass body and handle, serrated tip outlet and 3/8" NPT male inlet. ANSI Z21.15a / CSA 9.1a. Meets ADA ANSI/ICC A117.1 requirements.

Job Name \_\_\_\_\_  
 Model Specified \_\_\_\_\_ Quantity \_\_\_\_\_  
 Variations Specified \_\_\_\_\_  
 Date \_\_\_\_\_



**Features & Benefits:**

- Ball valve hose cock w/ chrome plated brass body & handle
- Serrated tip outlet
- Snap-in color coded indexes (gas, vacuum & air included)
- 3/8" NPT male inlet
- Material: Chrome plated brass body & handle

**Product Compliance:**

- ANSI Z21.15a / CSA 9.1a
- ANSI A117.1 (ADA)



ADA Compliant

**Warranty:** One Year (Limited)

**Performance Data:**

- Pressure:
  - Gas - 0.5 psi max
  - Air - 125 psi max
  - Vacuum - 30 inches of Mercury max
- Temperature: 32°F - 125°F

