



Pre-Rinse Accessories
B-KF

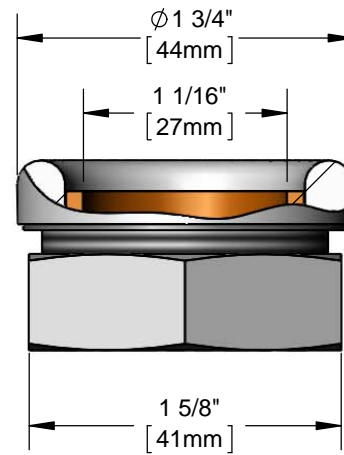
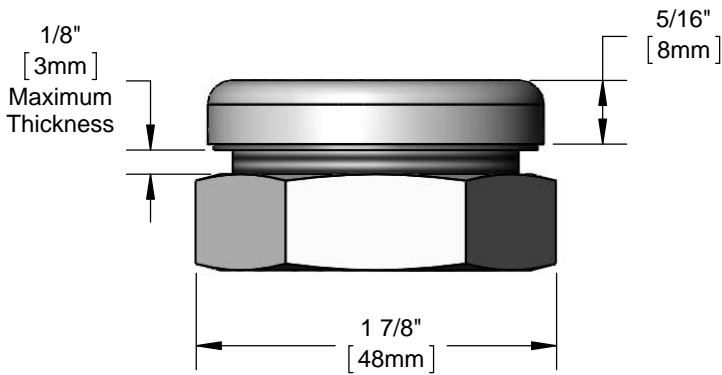
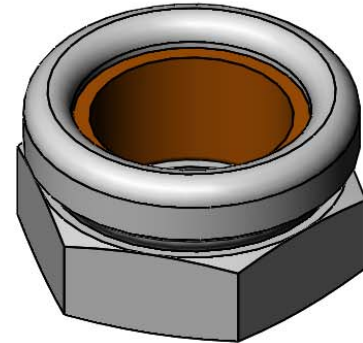
TAG:

Built-In Protective Flange

Architect/Engineering Specifications:

Polished chrome plated protective flange for deck mounted spray hoses with plastic guid bushing and seal washer.

Job Name _____
 Model Specified _____ Quantity _____
 Variations Specified _____
 Date _____



Features & Benefits:

- Protective flange for deck mounted spray hoses
- Plastic guide bushing and seal washer
- Flange fits 1 1/2" hole
- Fits sheet metal up to 1/8" thick
- Material: Polished chrome plated flange and nut

Product Compliance:

- N/A

Warranty: One Year (Limited)

Performance Data:

- N/A



T&S BRASS AND BRONZE WORKS, INC.



• 2 Saddleback Cove • Travelers Rest, SC 29690
 Ph 800-476-4103 • Fax 864-834-3518
 • Simi Valley, CA • Ph 800-423-0150 • www.tsbrass.com

Date: 01/18/16