



Epoxy Coated Retractable Hose Reels

B-7222-C05

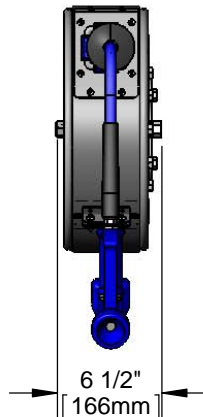
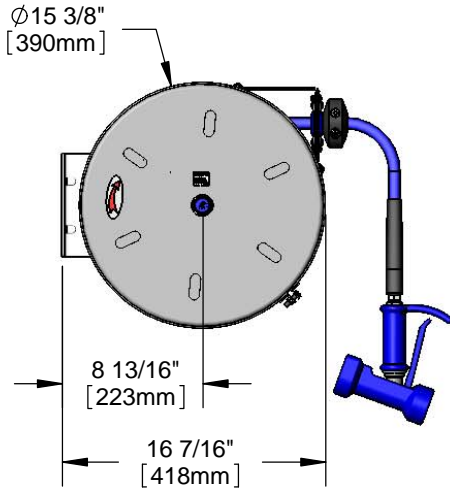
TAG:

Enclosed Epoxy Coated Hose Reel

Architect/Engineering Specifications:

Enclosed epoxy coated hose reel, stainless steel front trigger watergun w/ 5/16" orifice, 3/8" x 30' heavy-duty non-marking hose, ratcheting system, multi-fit bracket, adjustable hose bumper and 3/8" NPT female inlet.

| | |
|----------------------------|----------------|
| Job Name _____ | |
| Model Specified _____ | Quantity _____ |
| Variations Specified _____ | |
| Date _____ | |



Features & Benefits:

- Enclosed epoxy coated hose reel
- Stainless steel front trigger watergun w/ 5/16" orifice and 1/2" NPT x 1/2" Barb connector
- 3/8" x 30' heavy-duty non-marking hose rated to 300 PSI
- Ratcheting system holds the length of hose until a slight tug to retract automatically
- 3/8" NPT female inlet
- Adjustable hose bumper
- Multi-fit bracket for wall, ceiling or under counter mounting
- Material: Epoxy coated open reel & wall bracket and polished chrome plated brass spray valve

Product Compliance:

- NSF 61 Exempt (Non-Potable)
- EPAAct 2005 Non-Compliant (PRSV)

Warranty: Two Year (Limited)

- Hose: One Year (Limited)

Performance Data:

- Pressure: 20 - 125 psi
- Temperature: 40 °F - 200 °F
- Flow Rate: 4.30 GPM @ 60 psi

Optional Hose Reel Spray Valves

- | | |
|-------------------------------------|--|
| <input type="checkbox"/> B-0107 | Spray Valve |
| <input type="checkbox"/> B-0108 | Ergonomic Medium Flow Spray Valve |
| <input type="checkbox"/> B-0108-H | Ergonomic High Flow Spray Valve |
| <input type="checkbox"/> EB-0107 | High Flow Spray Valve |
| <input type="checkbox"/> EB-2322 | Extended Spray Wand |
| <input type="checkbox"/> MV-2516-24 | Stainless Steel Rear Trigger Water Gun |
| <input type="checkbox"/> MV-2522-24 | Stainless Steel Front Trigger Water Gun (Standard) |
| <input type="checkbox"/> MV-3516-24 | Aluminum Rear Trigger Water Gun |

Optional Hose Reel Multi-Fit Brackets

3/8" x 15', 30', & 35' Epoxy Coated Hose Reel

- | | |
|-------------------------------------|---|
| <input type="checkbox"/> G016636-45 | Epoxy Coated Wall Swing Bracket |
| <input type="checkbox"/> G016652-45 | Deck Mount Pivot Bracket |
| <input type="checkbox"/> G018477-45 | Stainless Steel Table Leg Swing Bracket |



T&S BRASS AND BRONZE WORKS, INC.



• 2 Saddleback Cove • Travelers Rest, SC 29690
 Ph 800-476-4103 • Fax 864-834-3518
 • Simi Valley, CA • Ph 800-423-0150 • www.tsbrass.com

Date: 03/22/16