



# Stainless Steel Retractable Hose Reels

## B-7143-03

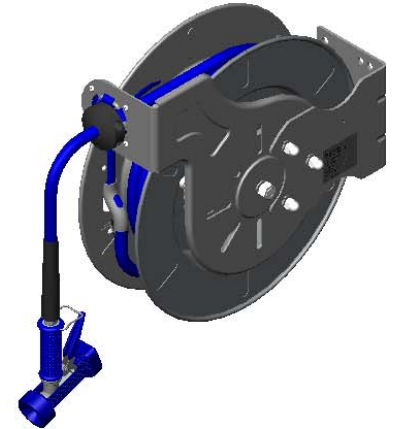
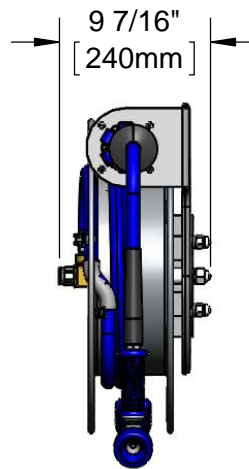
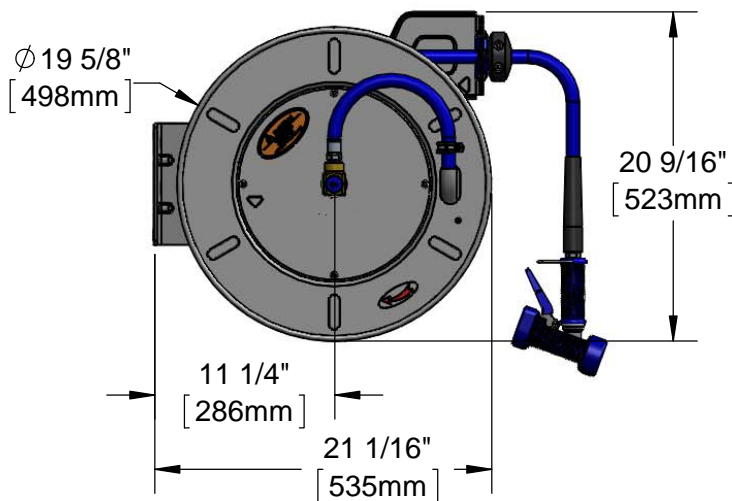
TAG:

### Open Stainless Steel Hose Reel

#### Architect/Engineering Specifications:

Open stainless steel hose reel, stainless steel rear trigger water gun with 7/16" orifice and 1/2" NPT female inlet, 1/2" x 50' heavy-duty non-marking hose, ratcheting system, multi-fit bracket, adjustable hose bumper and 1/2" NPT female inlet.

|                                      |
|--------------------------------------|
| Job Name _____                       |
| Model Specified _____ Quantity _____ |
| Variations Specified _____           |
| Date _____                           |



#### Features & Benefits:

- Open stainless steel hose reel
- Stainless steel rear trigger water gun with 7/16" orifice and 1/2" NPT female inlet
- 1/2" x 50' heavy-duty non-marking hose rated to 300 PSI
- Ratcheting system holds the length of hose until a slight tug to retract automatically
- 1/2" NPT female inlet
- Adjustable hose bumper
- Multi-fit bracket for wall, ceiling or under counter mounting
- Material: Stainless steel open reel, water gun and wall bracket

#### Product Compliance:

- NSF 61 Exempt (Non-Potable)

#### Warranty: Two Year (Limited)

- Hose: One Year (Limited)

#### Performance Data:

- Pressure: 20 - 125 psi
- Temperature: 40 °F - 200 °F
- Flow Rate: 7.42 GPM @ 60 psi

#### Optional Hose Reel Spray Valves

- |                                     |   |
|-------------------------------------|---|
| <input type="checkbox"/> MV-2516-34 | Stainless Steel Rear Trigger Water Gun (Standard) |
| <input type="checkbox"/> MV-2522-34 | Stainless Steel Front Trigger Water Gun           |
| <input type="checkbox"/> EB-0107    | High Flow Spray Valve                             |

#### Optional Hose Reel Multi-Fit Brackets

##### 1/4", 3/8", & 1/2" Stainless Steel Hose Reel

- |                                     |   |
|-------------------------------------|---|
| <input type="checkbox"/> G016737-45 | Stainless Steel Wall Swing Bracket      |
| <input type="checkbox"/> G016652-45 | Deck Mount Pivot Bracket                |
| <input type="checkbox"/> G018477-45 | Stainless Steel Table Leg Swing Bracket |



T&S BRASS AND BRONZE WORKS, INC.



• 2 Saddleback Cove • Travelers Rest, SC 29690  
 Ph 800-476-4103 • Fax 864-834-3518  
 • Simi Valley, CA • Ph 800-423-0150 • www.tsbrass.com

Date: 05/26/16