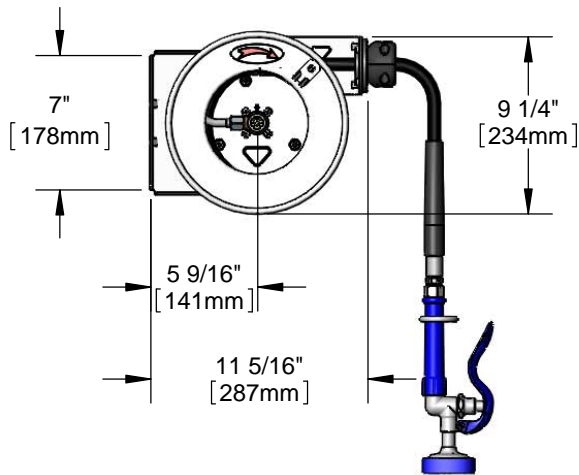




#### Architect/Engineering Specifications:

Open stainless steel hose reel, high flow spray valve, 3/8" x 12' heavy-duty non-marking hose, ratcheting system, multi-fit bracket, adjustable hose bumper and 3/8" NPT female inlet.

Job Name	_____		
Model Specified	_____	Quantity	_____
Variations Specified	_____		
Date	_____		



#### Features & Benefits:

- Open stainless steel hose reel
- Blue high flow spray valve
- 3/8" x 12' heavy-duty non-marking hose rated to 300 PSI
- Ratcheting system holds the length of hose until a slight tug to retract automatically
- 3/8" NPT female inlet
- Adjustable hose bumper
- Multi-fit bracket for wall, ceiling or under counter mounting
- Material: Stainless steel open reel and wall bracket, polished chrome plated spray valve

#### Product Compliance:

- NSF 61 Exempt (Non-Potable)
- EPA Act 2005 Non-Compliant (PRSV)

#### Warranty: Two Year (Limited)

- Hose: One Year (Limited)

#### Performance Data:

- Pressure: 20 - 125 psi
- Temperature: 40 °F - 140 °F
- Flow Rate: 4.05 GPM @ 60 psi

#### Optional Hose Reel Spray Valves

- |                                     |   |
|-------------------------------------|---|
| <input type="checkbox"/> B-0107     | Med Flow Spray Valve                    |
| <input type="checkbox"/> B-0108     | Ergonomic Medium Flow Spray Valve       |
| <input type="checkbox"/> B-0108-H   | Ergonomic High Flow Spray Valve         |
| <input type="checkbox"/> EB-0107    | High Flow Spray Valve (Standard)        |
| <input type="checkbox"/> EB-2322    | Extended Spray Wand                     |
| <input type="checkbox"/> MV-2516-24 | Stainless Steel Rear Trigger Water Gun  |
| <input type="checkbox"/> MV-2522-24 | Stainless Steel Front Trigger Water Gun |
| <input type="checkbox"/> MV-3516-24 | Aluminum Rear Trigger Water Gun         |

#### Optional Hose Reel Multi-Fit Brackets

##### 1/4", 3/8", & 1/2" Stainless Steel Hose Reel

- |                                     |   |
|-------------------------------------|---|
| <input type="checkbox"/> G016737-45 | Stainless Steel Wall Swing Bracket      |
| <input type="checkbox"/> G016652-45 | Deck Mount Pivot Bracket                |
| <input type="checkbox"/> G018477-45 | Stainless Steel Table Leg Swing Bracket |

