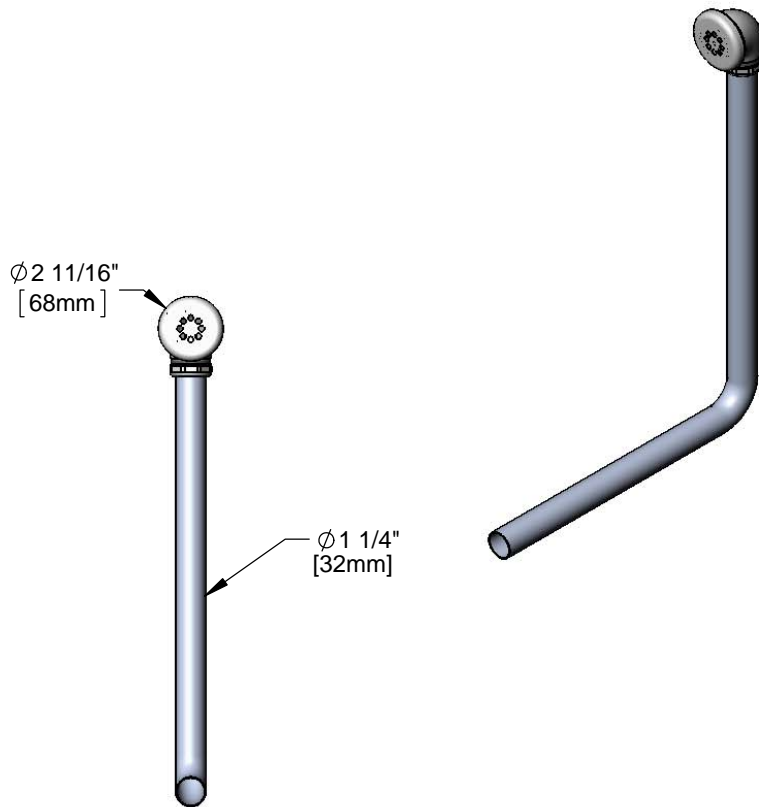
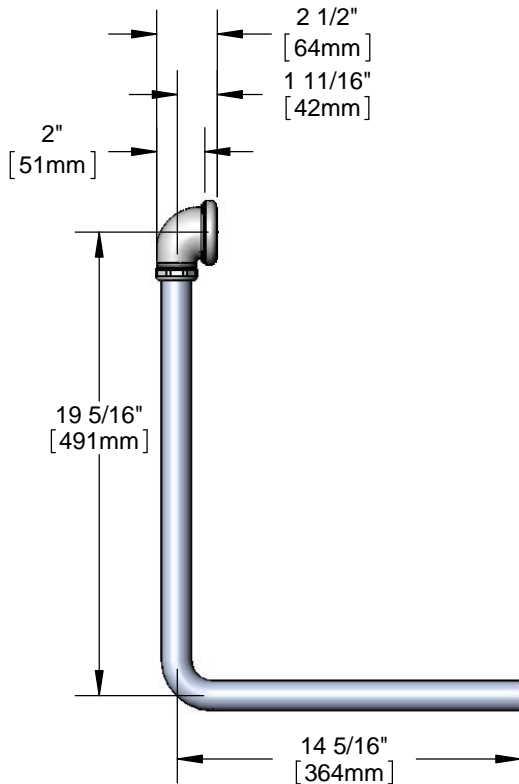




**Architect/Engineering Specifications:**

Waste drain overflow tube assembly with 1 1/4" dia tube, head and elbow tube. Certified to ASME A112.18.2/CSA B125.2

Job Name \_\_\_\_\_  
 Model Specified \_\_\_\_\_ Quantity \_\_\_\_\_  
 Variations Specified \_\_\_\_\_  
 Date \_\_\_\_\_



**Features & Benefits:**

- 1 1/4" overflow tube assembly outlet w/ head and elbow tube
- Material: Chrome plated brass

**Product Compliance:**

- ASME A112.18.2 / CSA B125.2



**Warranty:** One Year (Limited)

**Performance Data:**

- N/A

