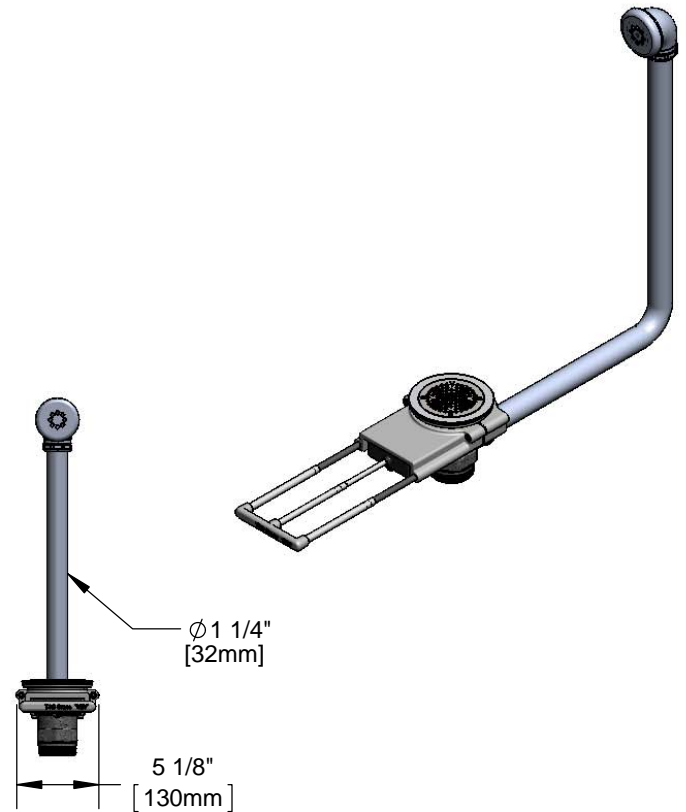
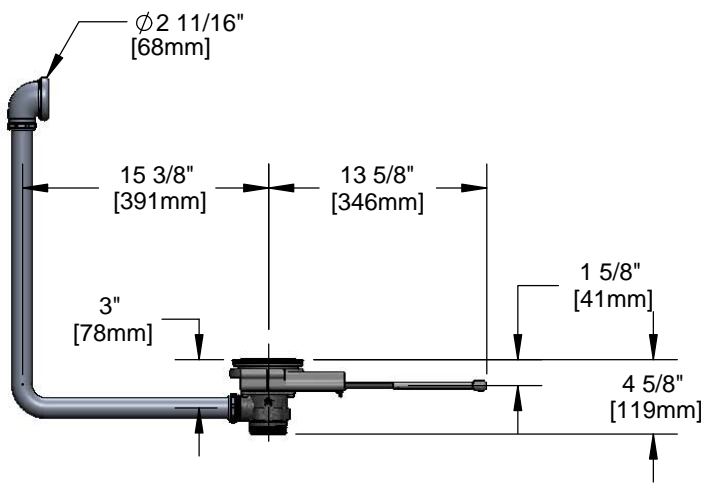




**Architect/Engineering Specifications:**

Modular push-pull waste valve for 3 1/2" sink opening with stainless steel body, 2" NPT male x 1 1/2" NPT female outlet, push-pull handle with chrome plated handle metal guard, 3 1/2" snap-in removable strainer and overflow tube with head assembly and cap. Certified to ASME A112.18.2/CSA B125.2

Job Name \_\_\_\_\_  
 Model Specified \_\_\_\_\_ Quantity \_\_\_\_\_  
 Variations Specified \_\_\_\_\_  
 Date \_\_\_\_\_



**Features & Benefits:**

- Modular push-pull waste valve for 3 1/2" sink opening w/ stainless steel body
- Modular design for easy installation and maintenance
- 2" NPT male outlet x 1 1/2" NPT female outlet
- Push-pull handle with handle guard to endure extreme abuse
- 3 1/2" snap-in removable strainer
- Overflow tube w/ head assembly and sealing cap
- 5" handle extension
- Installation tool included
- Material: Stainless steel body, stainless steel flat strainer and chrome plated metal handle guard

**Product Compliance:**

- ASME A112.18.2 / CSA B125.2



**Warranty:** Lifetime (Limited)

**Performance Data:**

- Discharge Rate: 28.50 GPM max

