



**Architect/Engineering Specifications:**

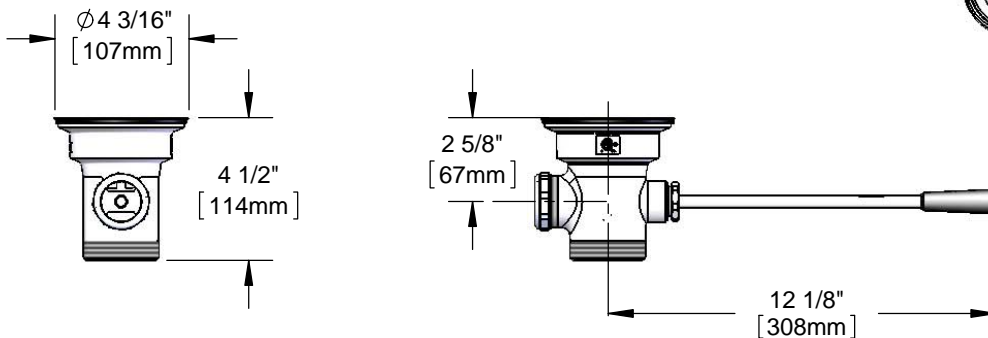
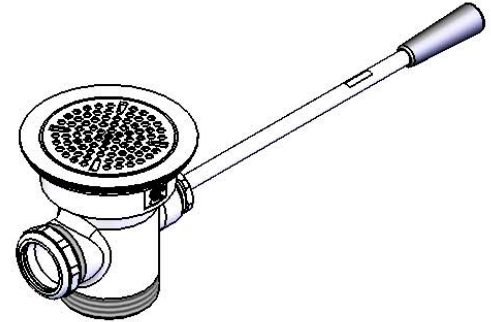
Lever waste valve for 3" sink opening with rough chrome plated body, 2" NPT male outlet / 1 1/2" NPT female outlet, lever handle with heat resistant plastic grip, 3" snap-in removable strainer and overflow outlet with cap. Certified to ASME A112.18.2/CSA B125.2

Job Name \_\_\_\_\_

Model Specified \_\_\_\_\_ Quantity \_\_\_\_\_

Variations Specified \_\_\_\_\_

Date \_\_\_\_\_



**Features & Benefits:**

- Lever waste valve for 3" sink opening w/ rough chrome plated body
- 2" NPT male outlet / 1 1/2" NPT female outlet
- Lever handle w/ heat resistant plastic grip
- 3" snap-in removable strainer
- Overflow outlet & cap w/ sealing washer
- Material: Rough chrome plated brass body & cap, stainless steel handle and flat strainer

**Product Compliance:**

- ASME A112.18.2 / CSA B125.2



**Warranty:** One Year (Limited)

**Performance Data:**

- Discharge Rate: 18 GPM max

