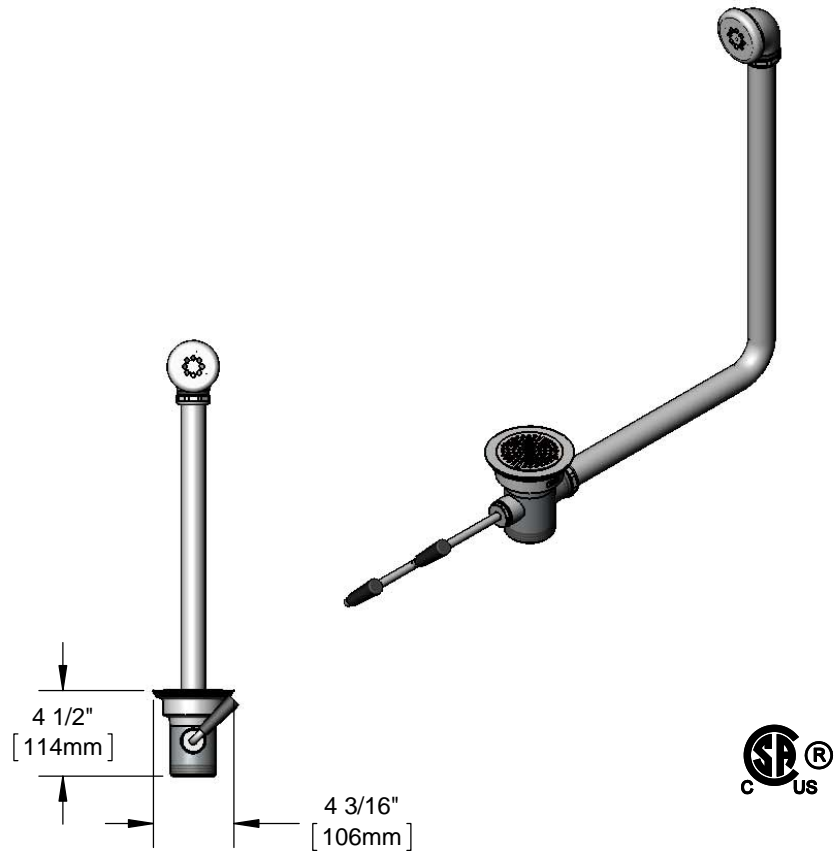
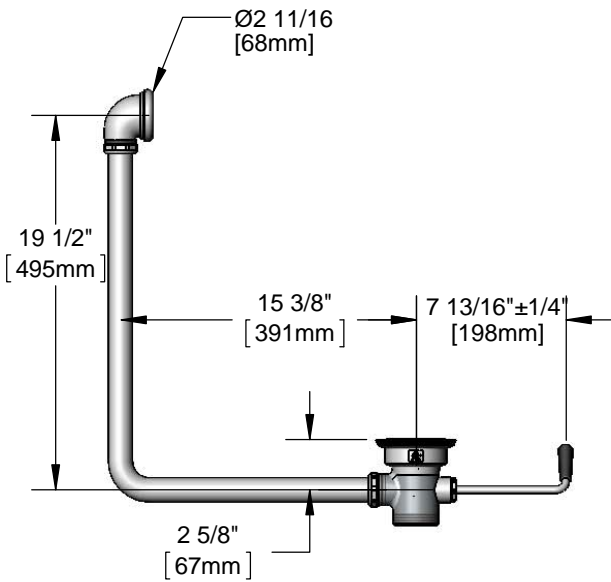




**Architect/Engineering Specifications:**

Rotary waste valve for 3" sink opening with rough chrome plated body, 2" NPT male / 1 1/2" NPT male adapter, short twist handle with heat resistant plastic grip, snap-in removable strainer and overflow assembly. Certified to ASME A112.18.2/CSA B125.2

Job Name \_\_\_\_\_  
 Model Specified \_\_\_\_\_ Quantity \_\_\_\_\_  
 Variations Specified \_\_\_\_\_  
 Date \_\_\_\_\_



**Features & Benefits:**

- Rotary waste valve for 3" sink opening w/ rough chrome plated body
- 2" NPT male / 1 1/2" NPT male adapter
- Short twist handle w/ heat resistant plastic grip
- Snap-in removable strainer
- Overflow tube assembly outlet w/ head and elbow tube
- Material: Rough chrome plated brass body & adapter and stainless steel handle & flat strainer

**Product Compliance:**

- ASME A112.18.2 / CSA B125.2

**Warranty:** One Year (Limited)

**Performance Data:**

- Discharge Rate: 17.14 GPM max

