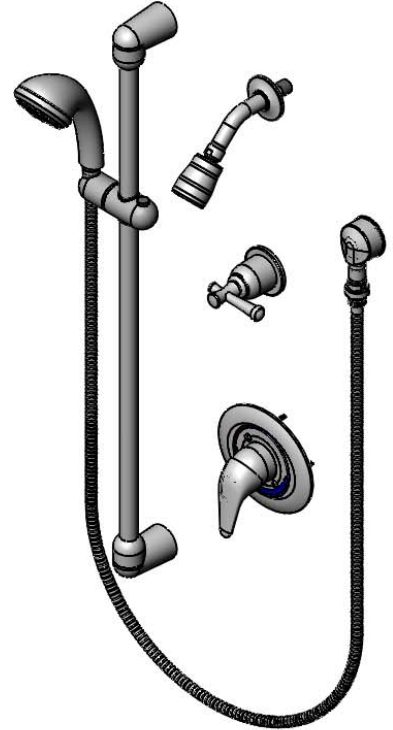
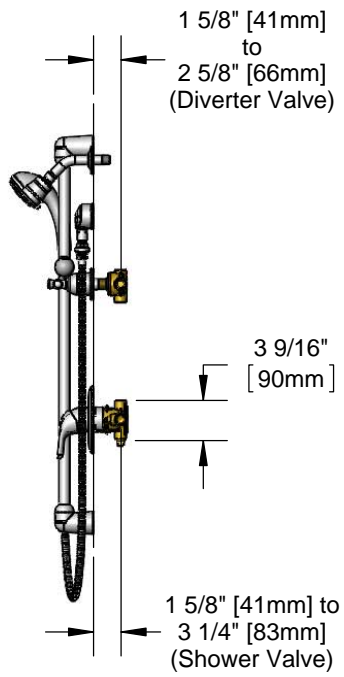
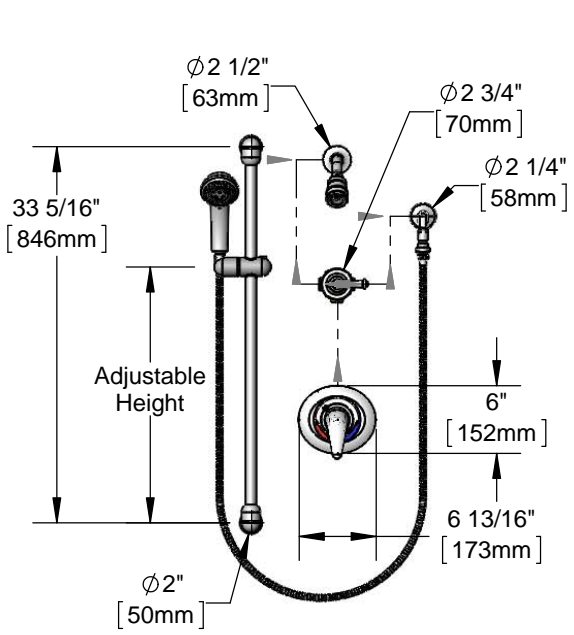




Architect/Engineering Specifications:

Pressure balancing shower valve with brass body, polished chrome plated rotary handle, faceplate, 1.5 GPM hand-held shower with non-positive shut-off thumb valve, 59" flexible stainless steel hose, wall outlet with 1/2" NPT female outlet inline vacuum breaker, verticle slide bar, adustable height mounting bracket, 1/2" NPT female inlet and outlet connections and 1.5 GPM showerhead. Certified to ASME A112.18.1/CSA B125.1 and ASSE 1016. Meets ADA ANSI/ICC A117.1 requirements.

Job Name _____
 Model Specified _____ Quantity _____
 Variations Specified _____
 Date _____



Features & Benefits:

- Pressure balancing shower valve with brass body
- 1.5 GPM hand held shower w/ non-positive shut-off thumb valve and 59" flexible stainless steel hose
- Wall outlet with 1/2" NPT female outlet
- Inline vacuum breaker
- Slide bar w/ adjustable height mounting bracket
- Polished chrome plated rotary handle and faceplate
- 1.5 GPM showerhead
- 1/2" NPT female inlet and outlet connections
- Material: Brass valve body, polished chrome plated handle, & metal faceplate, plastic hand held shower, and stainless steel hose

Product Compliance:

- ASME A112.18.1 / CSA B125.1
- ASSE 1016 / ASME A112.1016 / CSA B125.16
- NSF 61 Exempt (Non-Potable)
- ANSI A117.1 (ADA)

Warranty: One Year (Limited)

Performance Data:

- Pressure: 20 - 125 psi
- Temperature: 40 °F - 140 °F
- Flow Rate:
 - Shower Head: 1.5 GPM max @ 80 psi
 - Shower Queen: 1.5 GPM max @ 60 psi
 - 0.5 GPM min @ 60 psi

