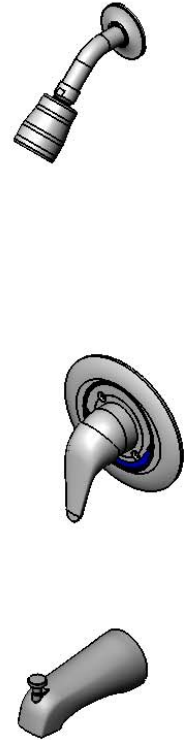
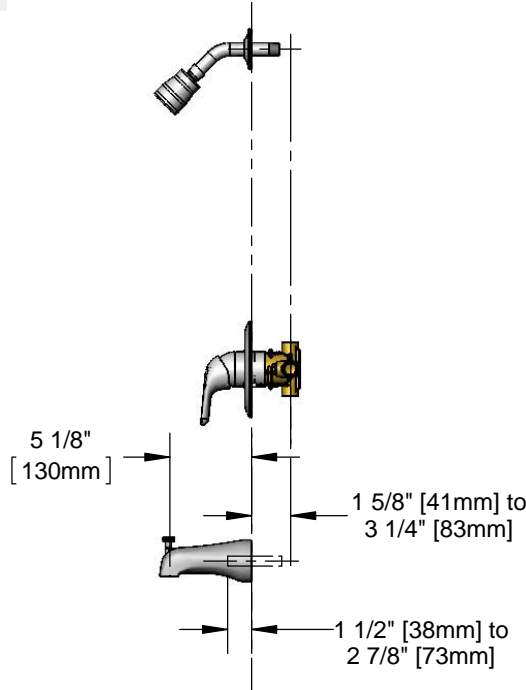
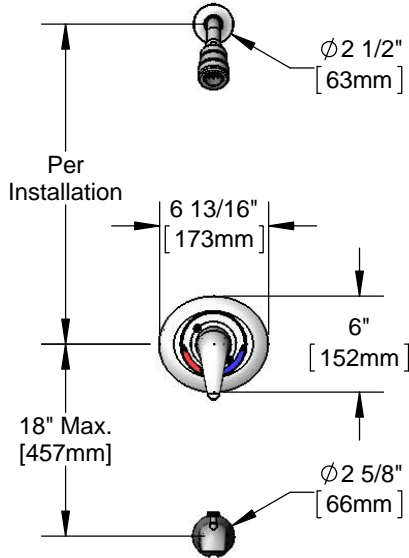




Architect/Engineering Specifications:

Pressure balancing shower valve with brass body, 1.5 GPM shower head, tub spout with lift knob diverter, ceramic cartridge with temperature limit stop, rotary handle, 1/2" NPT female inlet and outlet connections and chrome plated faceplate. Certified to ASME A112.18.1/CSA B125.1 and ASSE 1016. Meets ADA ANSI/ICC A117.1 requirements.

Job Name _____
 Model Specified _____ Quantity _____
 Variations Specified _____
 Date _____



Features & Benefits:

- Pressure balancing shower valve with brass body
- 1.5 GPM polished chrome plated shower head with adjustable spray, arm and wall flange
- 1/2" slip-on tub spout with lift knob diverter
- Rotary ceramic cartridge with adjustable temperature limit stop
- Chrome plated handle
- Chrome plated faceplate
- 1/2" NPT female inlet and outlet connections
- Material: Brass valve body and chrome plated faceplate & handle

Product Compliance:

- ASME A112.18.1 / CSA B125.1
- ASSE 1016 / ASME A112.1016 / CSA B125.16
- NSF 61 Exempt (Non-Potable)
- ANSI A117.1 (ADA)



Warranty: One Year (Limited)

Performance Data:

- Pressure: 20 - 125 psi
- Temperature: 40 °F - 140 °F
- Flow Rate:
 - Shower Head: 1.5 GPM @ 80 psi
 - Tub Spout: 6.25 GPM @ 60 psi



ADA Compliant

