

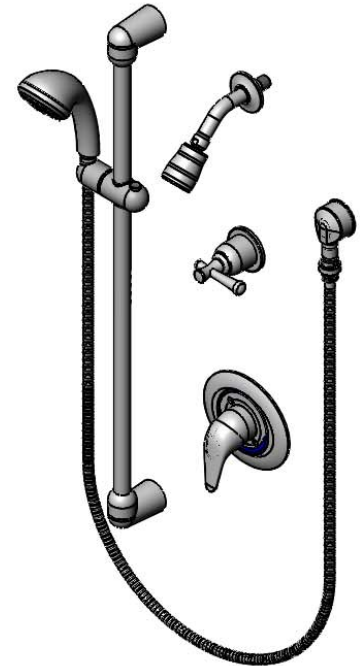
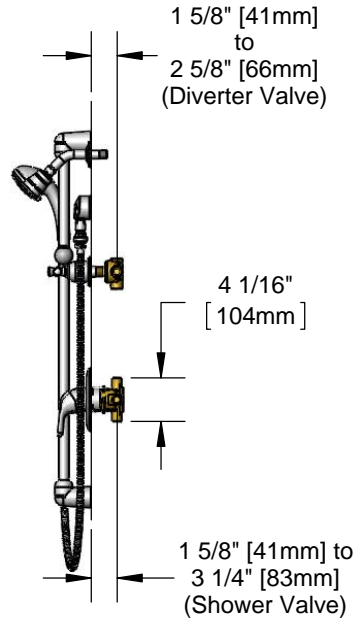
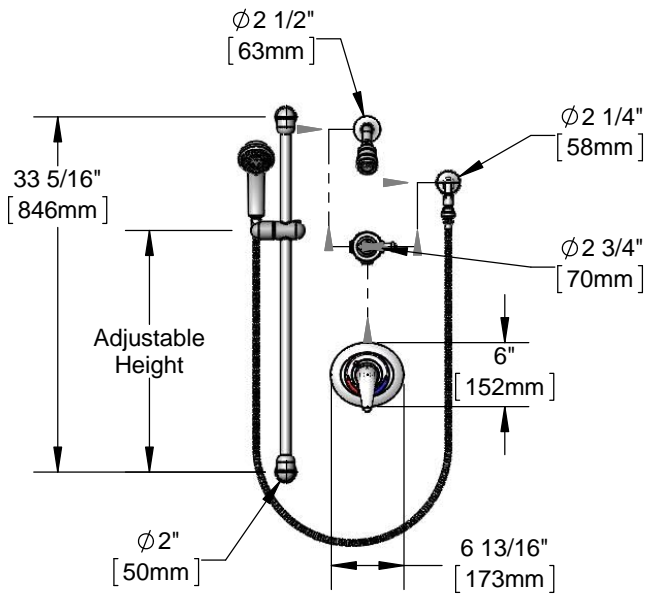


Pressure Balancing Shower Valve Assembly

Architect/Engineering Specifications:

Pressure balancing shower valve with brass body, 2 way diverter valve, polished chrome plated brass wall outlet, atmospheric vacuum breaker, 1.5 GPM hand-held shower with non-positive shut-off thumb valve, 59" flexible stainless steel hose, vertical slide bar, adjustable height mounting bracket, 1.5 GPM shower head, ceramic cartridge with temperature limit stop, rotary handle, 1/2" (5/8" O.D.) sweat inlet and outlet connections and chrome plated faceplate. Certified to ASME A112.18.1/CSA B125.1 and ASSE 1016. Meets ADA ANSI/ICC A117.1 requirements.

Job Name _____
Model Specified _____ Quantity _____
Variations Specified _____
Date _____



Features & Benefits:

- Pressure balancing shower valve w/ brass body
• 2-way diverter valve w/ 1/2" NPT female connections
• Polished chrome plated brass wall outlet w/ adjustable 2" flange and 1/2" NPT female inlet
• Inline atmospheric continuous pressure vacuum breaker
• 1.5 GPM Hand-held shower w/ non-positive shut-off thumb valve and 59" flexible stainless steel hose
• 24" vertical slide bar w/ adjustable height mounting bracket
• 1.5 GPM polished chrome plated shower head w/ adjustable spray, arm and wall flange
• Rotary ceramic cartridge w/ adjustable temperature limit stop and back-to-back capability
• Polished chrome plated handle
• Polished chrome plated faceplate
• 1/2" (5/8" O.D.) sweat female inlet and outlet connections
• Material: Brass valve bodies, polished chrome plated brass shower head, wall outlet & vacuum breaker, chrome plated metal faceplate & handles and stainless steel hose

Product Compliance:

- ASSE 1016 / ASME A112.1016 / CSA B125.16
• ASME A112.18.1 / CSA B125.1
• CSA B64.8 (VB)
• ANSI A117.1 (ADA)
• NSF 61 Exempt (Non-Potable)



Warranty: One Year (Limited)



ADA Compliant

Performance Data:

- Pressure: 20 - 125 psi
• Temperature: 40°F -140°F
• Flow Rate:
Shower Head: 1.5 GPM @ 80 psi
Shower Queen: 1.5 GPM max @ 60 psi
0.5 GPM min @ 60 psi

