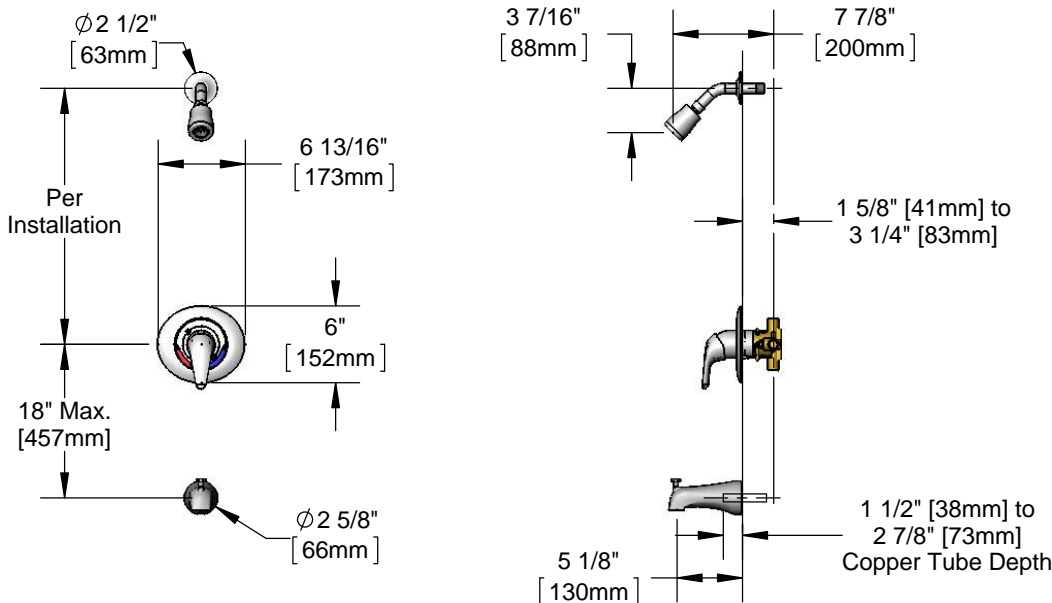




**Architect/Engineering Specifications:**

Pressure balancing shower valve with brass body, polished chrome plated rotary handle and faceplate, 1.5 GPM shower head, tub spout with diverter lift knob and 1/2" sweat connections. Certified to ASME A112.18.1/CSA B125.1 and ASSE 1016. Meets ADA ANSI/ICC A117.1 requirements.

Job Name \_\_\_\_\_  
 Model Specified \_\_\_\_\_ Quantity \_\_\_\_\_  
 Variations Specified \_\_\_\_\_  
 Date \_\_\_\_\_



ADA Compliant

**Features & Benefits:**

- Pressure balancing shower valve with brass body
- 1.5 GPM polished chrome plated shower head with adjustable spray, arm and wall flange
- Polished chrome plated rotary handle and faceplate
- Polished chrome plated solid brass tub spout with diverter lift knob
- 1/2" sweat connections
- Material: Brass valve body, polished chrome plated handle, metal faceplate, tub spout, and shower head

**Product Compliance:**

- ASSE 1016 / ASME A112.1016 / CSA B125.16
- ASME A112.18.1 / CSA B125.1
- ANSI A117.1 (ADA)
- NSF 61 Exempt (Non-Potable)

**Warranty:** One Year (Limited)

**Performance Data:**

- Pressure: 20 - 125 psi
- Temperature: 40 °F - 140 °F
- Flow Rate:
  - Shower Head: 1.5 GPM @ 80 psi
  - Tub Spout: 6.25 GPM @ 60 psi

