

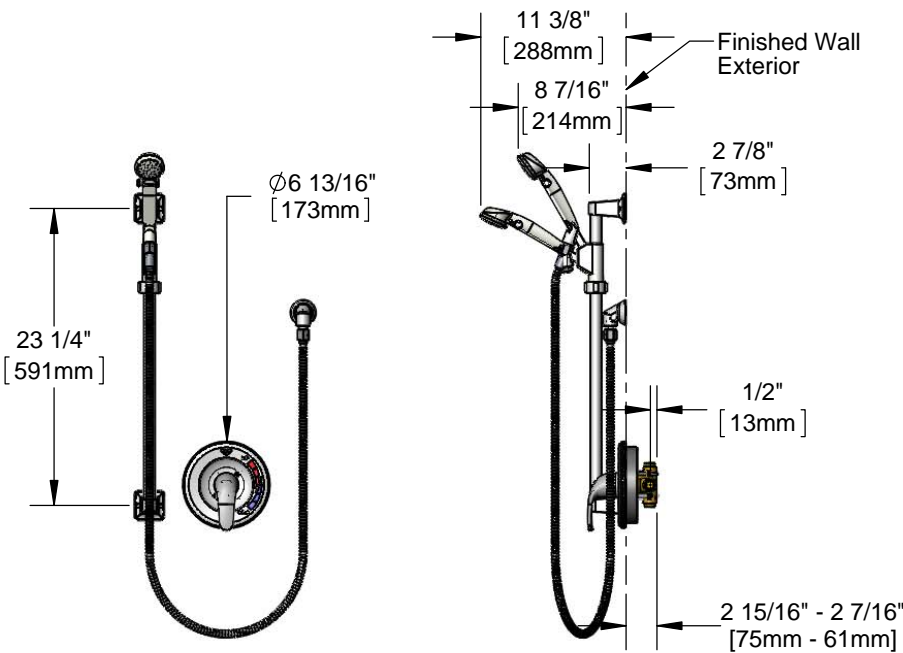


*Pressure Balancing Shower Valve Assembly*

**Architect/Engineering Specifications:**

Pressure balancing shower valve with brass body, polished chrome plated rotary handle, faceplate, 2.0 GPM hand-held shower with non-positive shut-off thumb valve, 60" flexible stainless steel hose, verticle slide bar, adustable height mounting bracket and 1/2" sweat inlet and outlet connections. Certified to ASME A112.18.1/CSA B125.1 and ASSE 1016. Meets ADA ANSI/ICC A117.1 requirements.

Job Name \_\_\_\_\_  
 Model Specified \_\_\_\_\_ Quantity \_\_\_\_\_  
 Variations Specified \_\_\_\_\_  
 Date \_\_\_\_\_



**Features & Benefits:**

- Pressure balancing shower valve with brass body
- Hand held shower w/ non-positive shut-off thumb valve and 60" flexible stainless steel hose
- 24" verticle slide bar w/ adjustable height mounting bracket
- Polished chrome plated rotary handle and faceplate
- 1/2" sweat female inlet and outlet connections
- Material: Brass valve body, polished chrome plated handle, & metal faceplate, plastic hand held shower, and stainless steel hose

**Product Compliance:**

- ASSE 1016 / ASME A112.1016 / CSA B125.16
- ASME A112.18.1 / CSA B125.1
- ANSI A117.1 (ADA)
- NSF 61 Exempt (Non-Potable)

**Warranty:** One Year (Limited)

**Performance Data:**

- Pressure: 20 - 125 psi
- Temperature: 40 °F - 140 °F
- Flow Rate: 2.0 GPM max @ 60 psi  
0.5 GPM min @ 60 psi

