

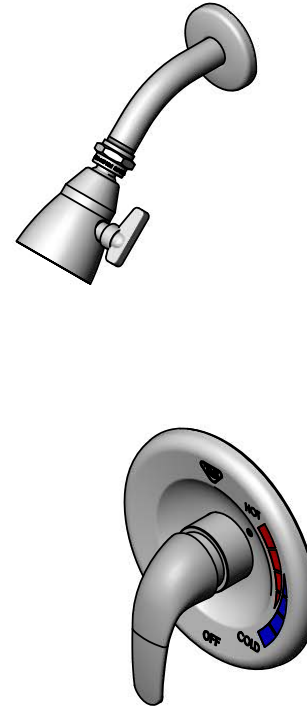
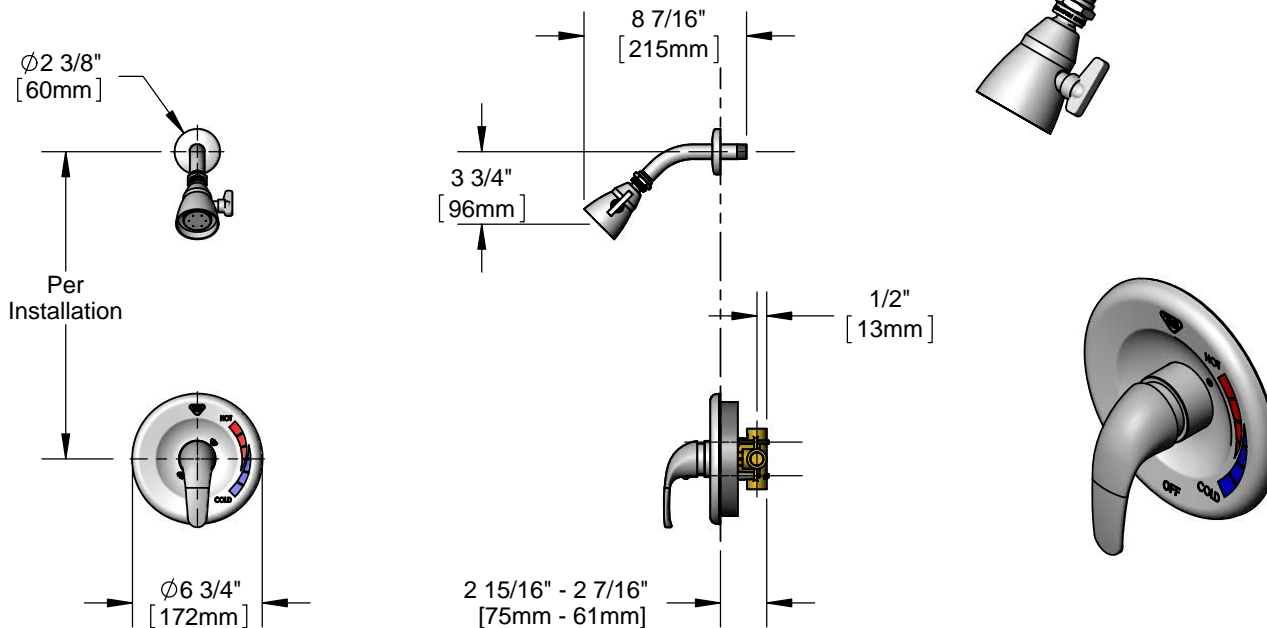


Pressure Balancing Shower Package

Architect/Engineering Specifications:

Pressure balancing shower valve with brass body, polished chrome plated rotary handle and faceplate, 2.5 GPM shower head and 1/2" NPT inlet and outlet connections. Certified to ASME A112.18.1/CSA B125.1 and ASSE 1016. Meets ADA ANSI/ICC A117.1 requirements.

Job Name _____
 Model Specified _____ Quantity _____
 Variations Specified _____
 Date _____



Features & Benefits:

- Pressure balancing shower valve with brass body
- 2.5 GPM polished chrome plated shower head with adjustable spray, arm and wall flange
- Polished chrome plated rotary handle and faceplate
- 1/2" NPT female inlet and outlet connections
- Material: Brass valve body, polished chrome plated handle, metal faceplate and shower head

Product Compliance:

- ASSE 1016 / ASME A112.1016 / CSA B125.16
- ASME A112.18.1 / CSA B125.1
- ANSI A117.1 (ADA)
- NSF 61 Exempt (Non-Potable)

Warranty: One Year (Limited)

Performance Data:

- Pressure: 20 - 125 psi
- Temperature: 40°F - 140°F
- Flow Rate: 2.5 GPM @ 80 psi



ADA Compliant

