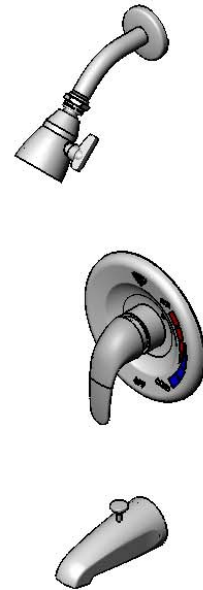
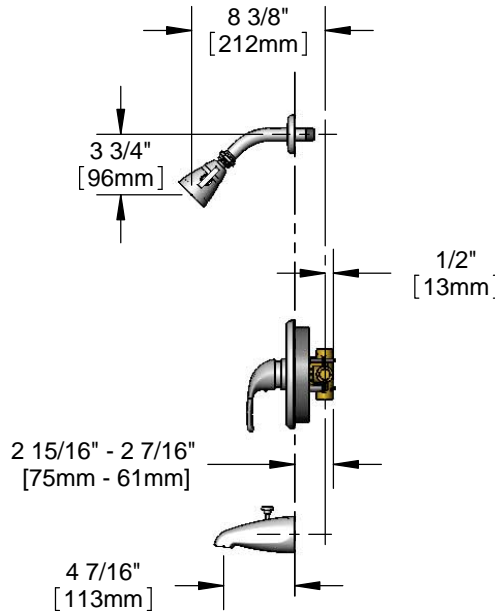
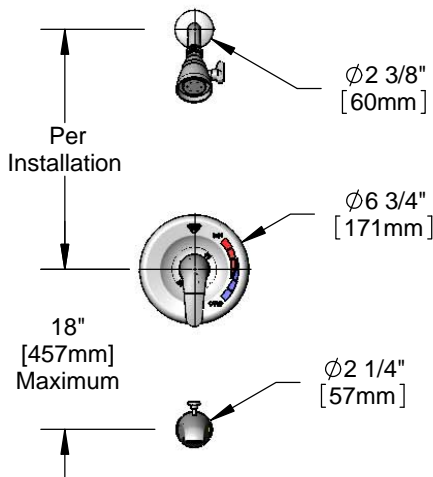




Architect/Engineering Specifications:

Pressure balancing shower valve with brass body, polished chrome plated rotary handle and faceplate, 2.5 GPM shower head, tub spout with diverter lift knob and 1/2" NPT inlet and outlet connections. Certified to ASME A112.18.1/CSA B125.1 and ASSE 1016.

Job Name _____
 Model Specified _____ Quantity _____
 Variations Specified _____
 Date _____



Features & Benefits:

- Pressure balancing shower valve with brass body
- 2.5 GPM polished chrome plated shower head with adjustable spray, arm and wall flange
- Polished chrome plated rotary handle and faceplate
- Polished chrome plated solid brass tub spout with diverter lift knob
- 1/2" NPT female inlet and outlet connections
- Material: Brass valve body, polished chrome plated handle, metal faceplate, tub spout, and shower head

Product Compliance:

- ASSE 1016 / ASME A112.1016 / CSA B125.16
- ASME A112.18.1 / CSA B125.1
- NSF 61 Exempt (Non-Potable)
-

Warranty: One Year (Limited)

Performance Data:

- Pressure: 20 - 125 psi
- Temperature: 40 °F - 140 °F
- Flow Rate:
 - Showerhead: 2.5 GPM @ 80 psi
 - Tub spout: 6.52 GPM @ 60 psi

