

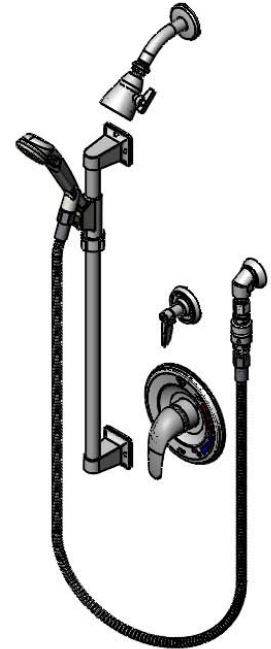
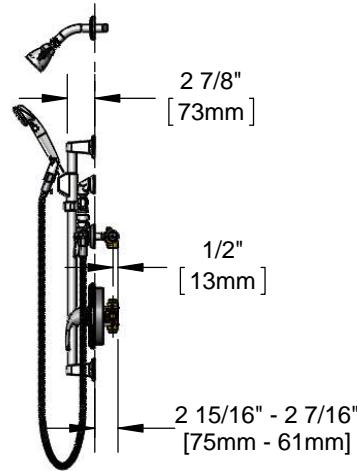
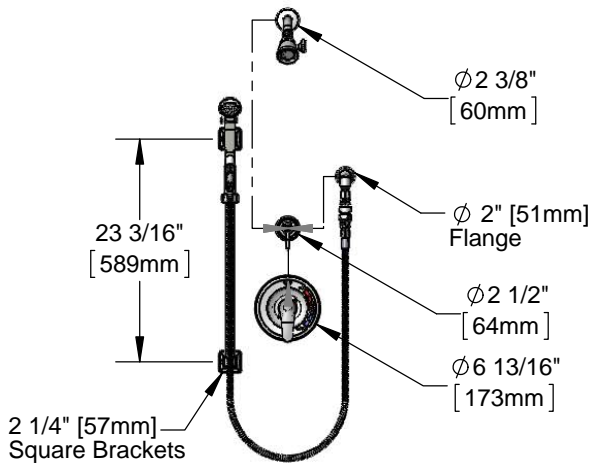


Pressure Balancing Shower Package

Architect/Engineering Specifications:

Pressure balancing shower valve with brass body, 2 way diverter valve, polished chrome plated brass wall outlet, 2.0 GPM hand-held shower with non-positive shut-off thumb valve, 60" flexible stainless steel hose, vertical slide bar, adjustable height mounting bracket, 2.5 GPM shower head, ceramic cartridge with temperature limit stop, rotary handle, 1/2" (5/8" O.D.) sweat inlet and outlet connections and chrome plated faceplate. Certified to ASME A112.18.1/CSA B125.1 and ASSE 1016. Meets ADA ANSI/ICC A117.1 requirements.

Job Name _____
 Model Specified _____ Quantity _____
 Variations Specified _____
 Date _____



Features & Benefits:

- Pressure balancing shower valve w/ brass body
- 2-way diverter valve w/ 1/2" NPT female connections, faceplate and lever handle
- Polished chrome plated brass wall outlet w/ adjustable Ø 2" flange and 1/2" NPT female inlet
- 2.0 GPM hand-held shower w/non-positive shut-off thumb valve and 60" flexible stainless steel hose
- 24" vertical slide bar w/ adjustable height mounting bracket
- 2.5 GPM polished chrome plated shower head w/ adjustable spray, arm and wall flange
- Rotary ceramic cartridge w/ adjustable temperature limit stop and back-to-back capability
- Polished chrome plated handle
- Polished chrome plated faceplate
- 1/2" (5/8" O.D.) sweat female inlet and outlet connections
- Material: Brass valve bodies, polished chrome plated brass shower head, wall outlet & vacuum breaker, chrome plated metal faceplate & handles, and stainless steel hose

Product Compliance:

- ASSE 1016 / ASME A112.1016 / CSA B125.16
- ASME A112.18.1 / CSA B125.1
- ANSI A117.1 (ADA)
- NSF 61 Exempt (Non-Potable)



Warranty: One Year (Limited)

Performance Data:

- Pressure: 20 - 125 psi
- Temperature: 40 °F - 140 °F
- Flow Rate:
 - Shower Head: 2.5 GPM @ 80 psi
 - Shower Queen: 2.0 GPM max @ 60 psi
 - 0.5 GPM min @ 60 psi



ADA Compliant

