



Bath and Shower
B-3204-PBV

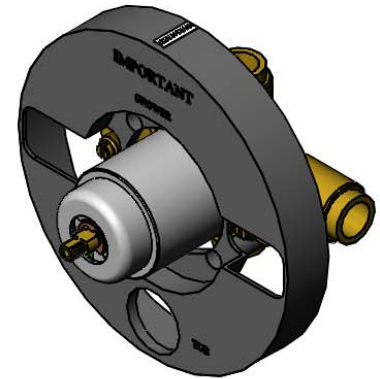
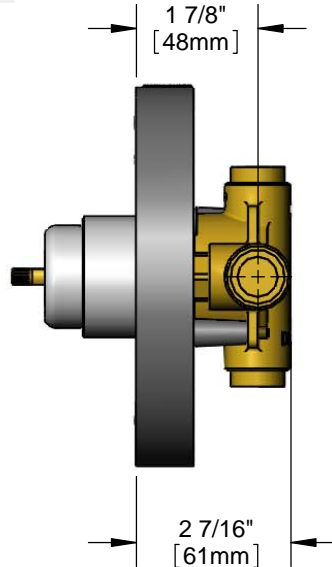
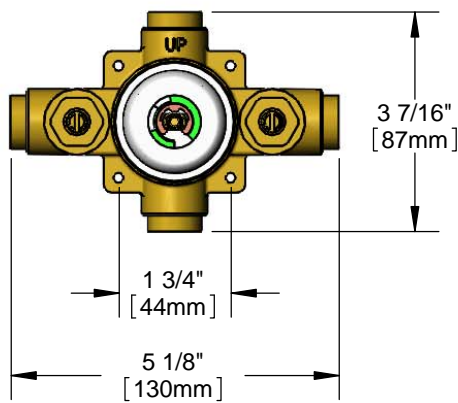
TAG:

Pressure Balancing Shower Valve

Architect/Engineering Specifications:

Pressure balancing shower valve with brass body, integral screwdriver stops, plastic guard and 1/2" sweat connections. Certified to ASME A112.18.1/CSA B125.1 and ASSE 1016.

Job Name _____
 Model Specified _____ Quantity _____
 Variations Specified _____
 Date _____



Features & Benefits:

- Pressure balancing shower valve with brass body
- 1/2" sweat connections
- Integral screwdriver stops
- Plastic guard
- Material: Brass valve body

Product Compliance:

- ASSE 1016 / ASME A112.1016 / CSA B125.16
- ASME A112.18.1 / CSA B125.1
- NSF 61 Exempt (Non-Potable)

Warranty: One Year (Limited)

Performance Data:

- Pressure: 20 - 125 psi
- Temperature: 40°F - 140°F



T&S BRASS AND BRONZE WORKS, INC.



• 2 Saddleback Cove • Travelers Rest, SC 29690
 Ph 800-476-4103 • Fax 864-834-3518
 • Simi Valley, CA • Ph 800-423-0150 • www.tsbrass.com

Date: 01/23/17