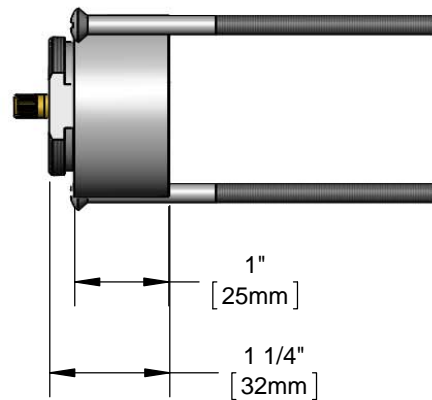
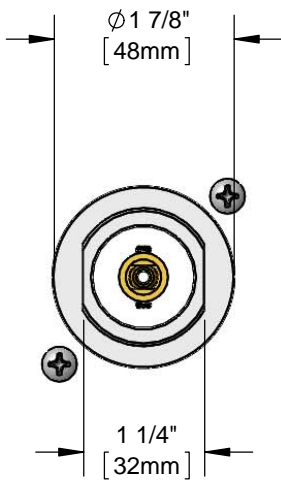
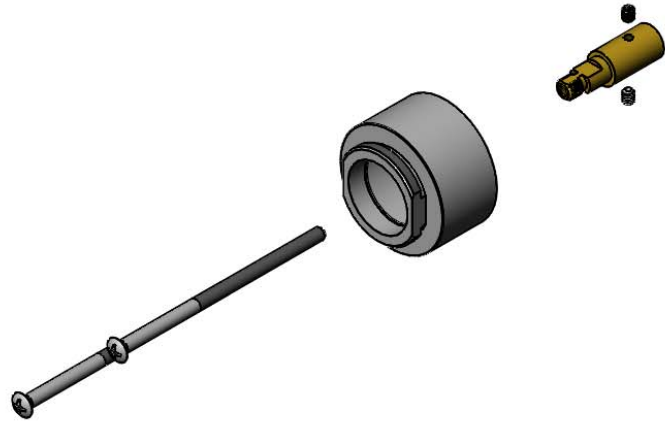




**Architect/Engineering Specifications:**

Pressure balance shower valve rough-in extension kit, extended length cover plate screws and polished chrome extension collar.

Job Name \_\_\_\_\_  
 Model Specified \_\_\_\_\_ Quantity \_\_\_\_\_  
 Variations Specified \_\_\_\_\_  
 Date \_\_\_\_\_



**Features & Benefits:**

- Pressure balance shower valve rough-in extension kit
- Spindle adapter fits over existing valve spindle
- Extended length cover plate screws
- Polished chrome extension collar
- Material: Brass valve body and polished chrome plated brass extension collar

**Product Compliance:**

- N/A

**Warranty:** One Year (Limited)

**Performance Data:**

- N/A

