



# Medical and Lavatory Faucets

## B-2991-WA

**EasyInstall**

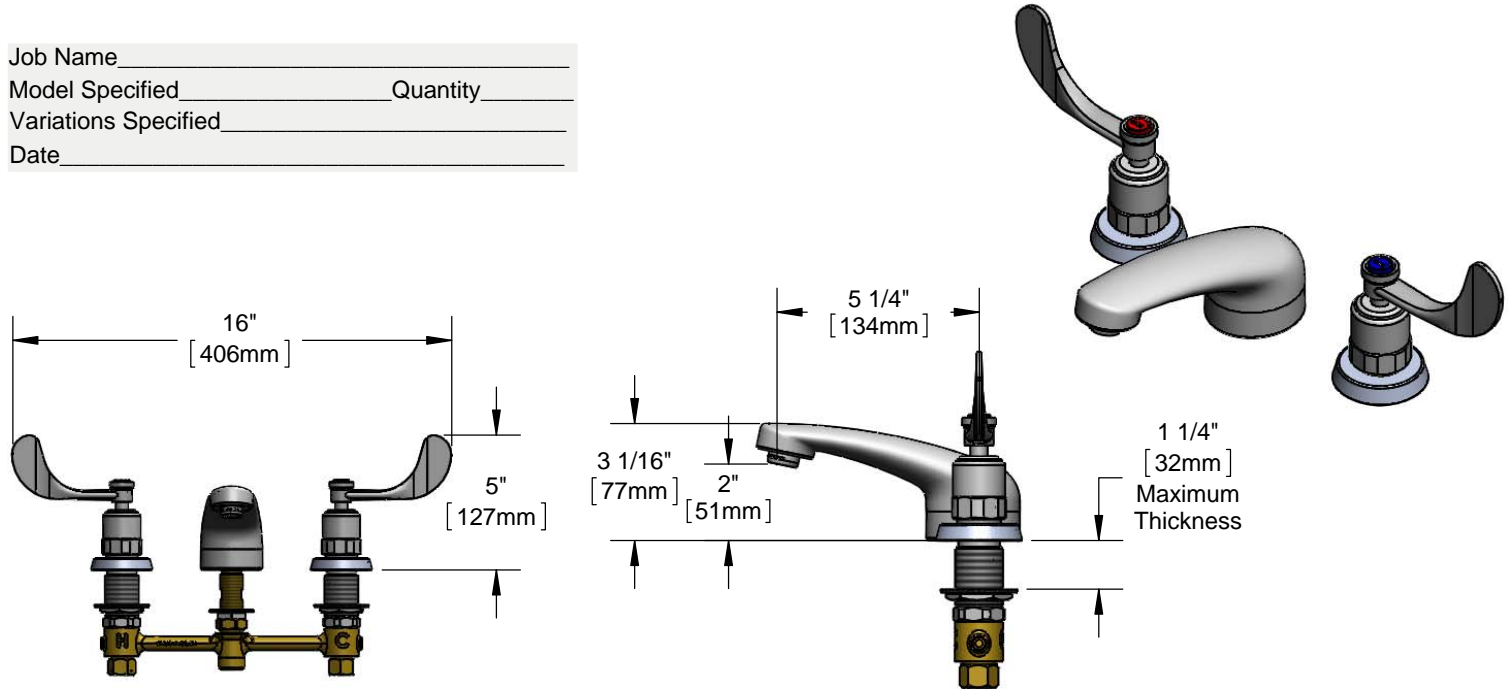
### Concealed Widespread Lavatory Faucet

TAG:

#### Architect/Engineering Specifications:

8" concealed deck mount mixing faucet with forged brass body, polished chrome plated cast spout with 2.2 GPM aerator, wrist action metering cartridges, polished chrome plated escutcheons and 1/2" NPSM male inlets with coupling nuts. Certified to ASME A112.18.1/CSA B125.1, NSF 61-Section 9 and NSF 372. Meets ADA ANSI/ICC A117.1 requirements.

Job Name \_\_\_\_\_  
 Model Specified \_\_\_\_\_ Quantity \_\_\_\_\_  
 Variations Specified \_\_\_\_\_  
 Date \_\_\_\_\_



#### Features & Benefits:

- 8" EasyInstall concealed deck mount mixing faucet w/ forged brass body
- Polished chrome plated brass cast spout
- 2.2 GPM aerator, Series 3 (B-0199-03)
- Adjustable metering cycle, 10 to 30 seconds
- Metering cartridges
- 4" wrist action handles with color coded indexes
- 1/2" NPSM male inlets w/ coupling nuts
- Material: Forged brass body, chrome plated metal and escutcheon & polished chrome plated brass cast spout

#### Product Compliance:

- ASME A112.18.1 / CSA B125.1
- NSF 61 - Section 9
- NSF 372 (Low Lead Content)
- ANSI A117.1 (ADA)

**Warranty:** One Year (Limited)

#### Performance Data:

- Pressure: 20 - 125 psi
- Temperature: 40 °F - 140 °F
- Flow Rate: 2.2 GPM @ 60 psi
- Water Consumption: @ 10 sec = .36 gal  
@ 15 sec = .55 gal



ADA Compliant

#### Optional Outlets (Series 3 / VR Series 8)

| GPM  | Aerated                               | Non-Aerated (Laminar)                   | VR Aerated                            | VR Non-Aerated (VR Laminar)              | Optional Cartridges  |
|------|---------------------------------------|---|---------------------------------------|--|--|
| 0.35 | N/A                                   | <input type="checkbox"/> B-0199-03-N035 | N/A                                   | <input type="checkbox"/> B-0199-08-N035  | <input type="checkbox"/> Push Button Metering<br><input type="checkbox"/> Pivot Action Metering<br><input type="checkbox"/> Wrist Action Metering (Standard) |
| 0.5  | N/A                                   | <input type="checkbox"/> B-0199-03-N05  | N/A                                   | <input type="checkbox"/> B-0199-08-N05   |  |
| 1.0  | N/A                                   | N/A                                     | N/A                                   | <input type="checkbox"/> B-0199-08-LF-10 |  |
| 1.5  | <input type="checkbox"/> B-0199-03-WS | N/A                                     | <input type="checkbox"/> B-0199-08-WS | N/A                                      |  |
| 2.2  | Standard                              | <input type="checkbox"/> B-0199-26      | <input type="checkbox"/> B-0199-08    | <input type="checkbox"/> B-0199-28       |  |



T&S BRASS AND BRONZE WORKS, INC.



• 2 Saddleback Cove • Travelers Rest, SC 29690  
 Ph 800-476-4103 • Fax 864-834-3518  
 • Simi Valley, CA • Ph 800-423-0150 • www.tsbrass.com

Date: 01/23/17