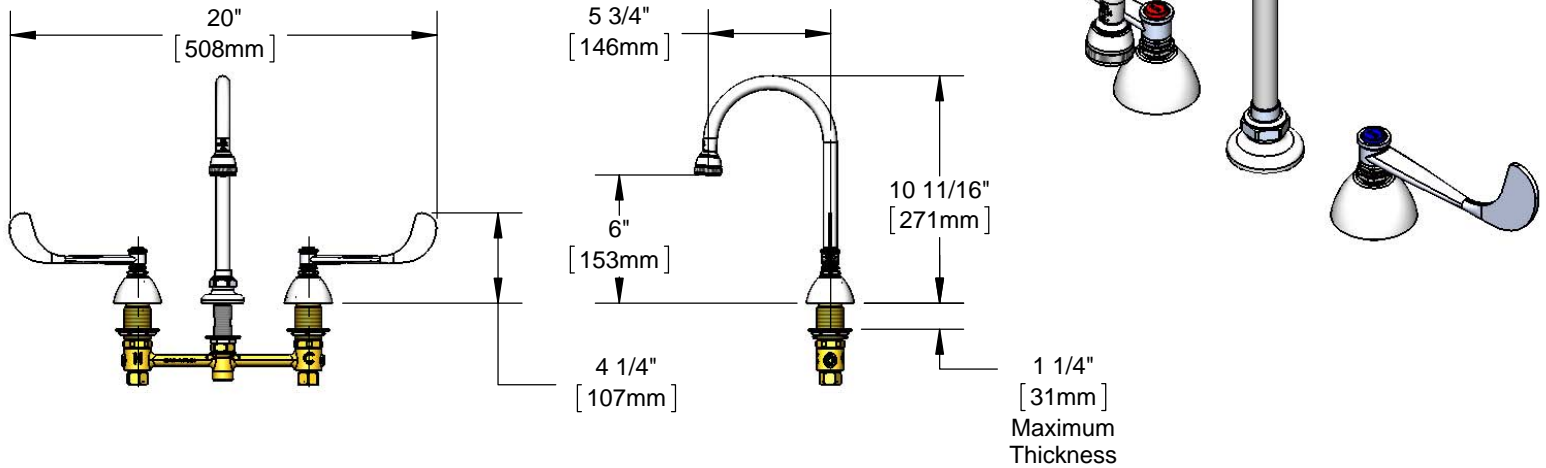




#### Architect/Engineering Specifications:

8" deck mount lavatory mixing faucet, rigid gooseneck with rosespray outlet, compression cartridges, 6" wrist action handles, chrome plated escutcheons and 1/2" NPSM male inlets with coupling nuts. Certified to ASME A112.18.1/CSA B125.1, NSF 61-Section 9 and NSF 372. Meets ADA ANSI/ICC A117.1 requirements.

Job Name \_\_\_\_\_  
 Model Specified \_\_\_\_\_ Quantity \_\_\_\_\_  
 Variations Specified \_\_\_\_\_  
 Date \_\_\_\_\_



#### Features & Benefits:

- 8" EasyInstall concealed deck mount faucet w/ forged brass body
- 5-3/4" swivel gooseneck w/ swivel-to-rigid washer to convert swivel gooseneck to rigid
- Rosespray outlet, Series 1
- Eterna compression cartridges
- 6" wrist action handles w/ color coded indexes
- 1/2" NPSM male inlets w/ coupling nuts
- Material: Forged brass body, polish chrome plated brass tubular spout and chrome plated brass handles

#### Product Compliance:

- ASME A112.18.1 / CSA B125.1
- NSF 61 - Section 9
- NSF 372 (Low Lead Content)
- ANSI A117.1 (ADA)



**Warranty:** One Year (Limited)

#### Performance Data:

- Pressure: 20 - 125 psi
- Temperature: 40°F - 140°F
- Flow Rate: 10.06 GPM @ 60 psi



ADA Compliant

#### Optional Outlets (Series 1 / VR Series 6)

GPM	Aerated	Non-Aerated (Laminar)	VR Aerated	VR Non-Aerated (VR Laminar)	Optional Handles	Optional Cartridges
0.35	N/A	<input type="checkbox"/> B-0199-01-N035	N/A	<input type="checkbox"/> B-0199-06-N035	<input type="checkbox"/> 4" Wrist Action	<input type="checkbox"/> Quarter Turn Cerama
0.5	N/A	<input type="checkbox"/> B-0199-01-N05	N/A	<input type="checkbox"/> B-0199-06-N05	<input type="checkbox"/> Lever	<input type="checkbox"/> Eterna (Standard)
1.0	<input type="checkbox"/> B-0199-01-F10	N/A	<input type="checkbox"/> B-0199-06-F10	N/A	<input type="checkbox"/> 4-Arm	<input type="checkbox"/> Quarter Turn Eterna
1.5	<input type="checkbox"/> B-0199-01-WS	<input type="checkbox"/> B-0199-29	<input type="checkbox"/> B-0199-06-WS	<input type="checkbox"/> B-0199-29VR		<input type="checkbox"/> Push Button Metering
2.2	<input type="checkbox"/> B-0199-01	<input type="checkbox"/> B-0199-21	<input type="checkbox"/> B-0199-06	<input type="checkbox"/> B-0199-21-VRF		<input type="checkbox"/> Pivot Action Metering
						<input type="checkbox"/> Wrist Action Metering

