



EasyInstall

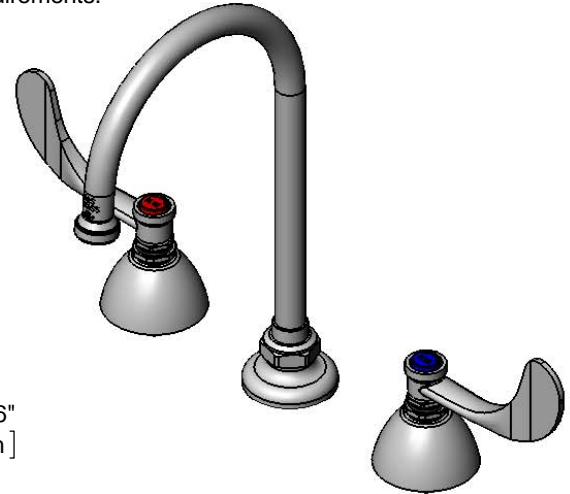
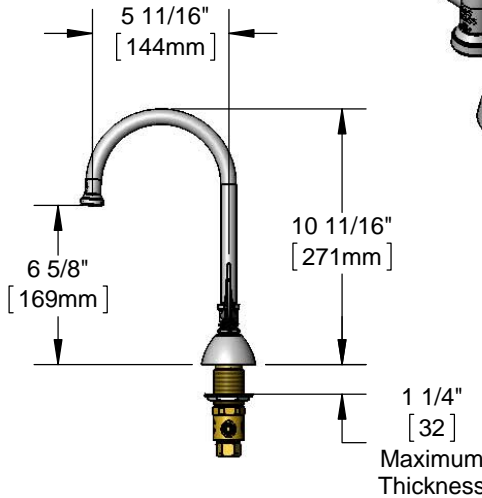
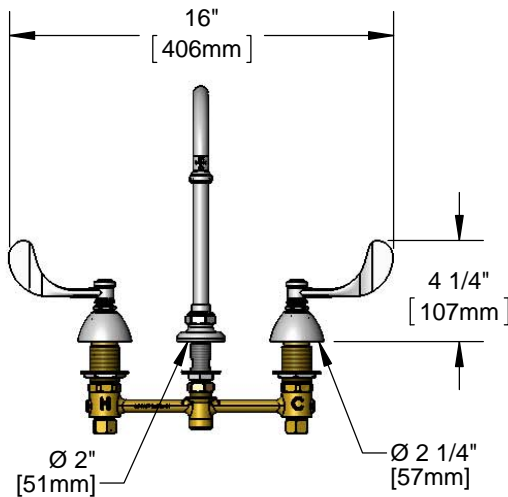
B-2866-LF16-WH4

Concealed Widespread Lavatory Faucet

Architect/Engineering Specifications:

8" concealed deck mount mixing faucet with forged brass body, swivel gooseneck with stream regulator outlet, 1.6 GPM flow control, compression cartridges, 4" wrist action handles, chrome plated escutcheons and 1/2" NPSM male inlets with coupling nuts. Certified to ASME A112.18.1/CSA B125.1, NSF 61-Section 9 and NSF 372. Meets ADA ANSI/ICC A117.1 requirements.

Job Name _____
 Model Specified _____ Quantity _____
 Variations Specified _____
 Date _____



Features & Benefits:

- 8" EasyInstall concealed deck mount mixing faucet w/ forged brass body
- 5 11/16" swivel gooseneck w/ swivel-to-rigid washer to convert swivel gooseneck to rigid
- Stream regulator outlet, Series 1
- 1.6 GPM flow control (pre-installed in swivel deck flange)
- Quarter turn Eterna compression cartridges
- 4" wrist action handles w/ color coded indexes
- 1/2" NPSM male inlets w/ coupling nuts
- Material: Forged brass body, chrome plated metal handles & polished chrome plated brass escutcheons and tubular spout

Product Compliance:

- ASME A112.18.1 / CSA B125.1
- NSF 61 - Section 9
- NSF 372 (Low Lead Content)
- ANSI A117.1 (ADA)

Warranty: One Year (Limited)

Performance Data:

- Pressure: 20 - 125 psi
- Temperature: 40°F - 140°F
- Flow Rate: 1.60 GPM @ 60 psi



ADA Compliant

Optional Handles

- 4" Wrist Action (Standard)
- Lever
- 4-Arm

Optional Cartridges

- Quarter Turn Cerama
- Eterna
- Quarter Turn Eterna (Standard)
- Push Button Metering
- Pivot Action Metering
- Wrist Action Metering

