



# Medical and Lavatory Faucets

TAG:

## B-2866-05VRS

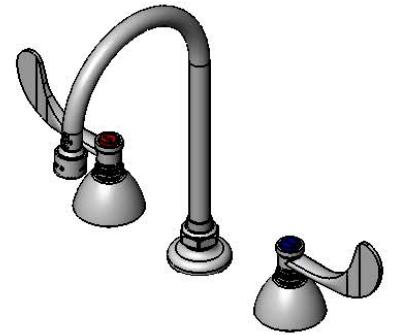
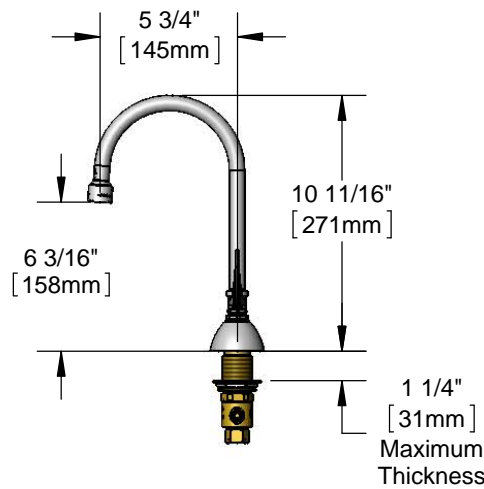
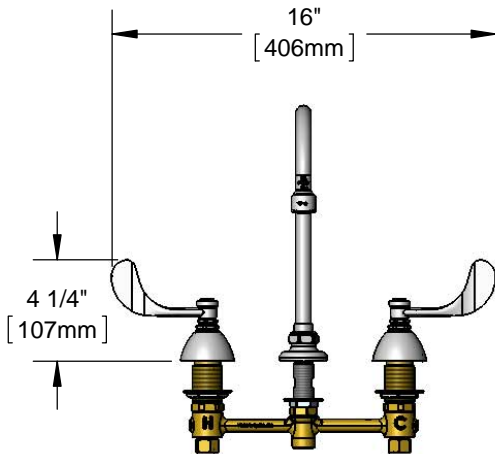
**EasyInstall**

## Concealed Widespread Lavatory Faucet

### Architect/Engineering Specifications:

8" concealed deck mount mixing faucet with forged brass body, swivel gooseneck with 2.2 GPM aerator, compression cartridges, 4" wrist action handles, polished chrome plated escutcheons and 1/2" NPSM male inlets with coupling nuts. Certified to ASME A112.18.1/CSA B125.1, NSF 61-Section 9 and NSF 372. Meets ADA ANSI/ICC A117.1 requirements.

Job Name \_\_\_\_\_  
 Model Specified \_\_\_\_\_ Quantity \_\_\_\_\_  
 Variations Specified \_\_\_\_\_  
 Date \_\_\_\_\_



### Features & Benefits:

- 8" EasyInstall concealed deck mount mixing faucet w/ forged brass body
- 5 3/4" swivel gooseneck w/ swivel-to-rigid washer to convert swivel gooseneck to rigid
- 2.2 GPM aerator, Series 2 (B-0199-02)
- Eterna compression cartridges
- 4" wrist action handles w/ color coded indexes
- 1/2" NPSM male inlets w/ coupling nuts
- Material: Forged brass body, polished chrome plated brass tubular spout and chrome plated metal handles

### Product Compliance:

- ASME A112.18.1 / CSA B125.1
- NSF 61 - Section 9
- NSF 372 (Low Lead Content)
- ANSI A117.1 (ADA)



**Warranty:** One Year (Limited)

### Performance Data:

- Pressure: 20 - 125 psi
- Temperature: 40 °F - 140 °F
- Flow Rate: 2.2 GPM @ 60 psi



**ADA Compliant**

### Optional Outlets (Series 2 / VR Series 7)

GPM	Aerated	Non-Aerated (Laminar)	VR Aerated	VR Non-Aerated (VR Laminar)
0.35	N/A	<input type="checkbox"/> B-0199-02-N035	N/A	<input type="checkbox"/> B-0199-07-N035
0.5	N/A	<input type="checkbox"/> B-0199-02-N05	N/A	<input type="checkbox"/> B-0199-07-N05
1.0	<input type="checkbox"/> B-0199-02-F10	N/A	<input type="checkbox"/> B-0199-07-F10	N/A
1.5	<input type="checkbox"/> B-0199-02-WS	N/A	<input type="checkbox"/> B-0199-07-WS	N/A
2.2	Standard	N/A	<input type="checkbox"/> B-0199-07	N/A

### Optional Cartridges

- Quarter-Turn Cerama
- Eterna (Standard)
- Quarter-Turn Eterna
- Push Button Metering
- Pivot Action Metering
- Wrist Action Metering

### Optional Handles

- 4" Wrist Action (Standard)
- Lever
- 4-Arm



**T&S BRASS AND BRONZE WORKS, INC.**



• 2 Saddleback Cove • Travelers Rest, SC 29690  
 Ph 800-476-4103 • Fax 864-834-3518  
 • Simi Valley, CA • Ph 800-423-0150 • www.tsbrass.com

Date: 12/14/15