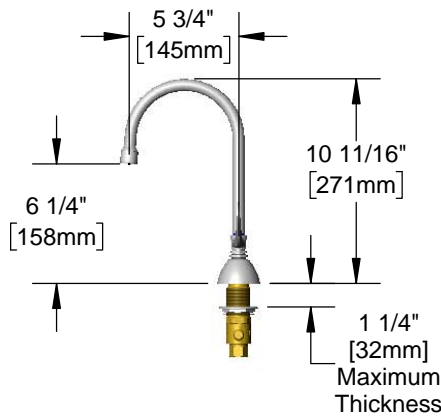
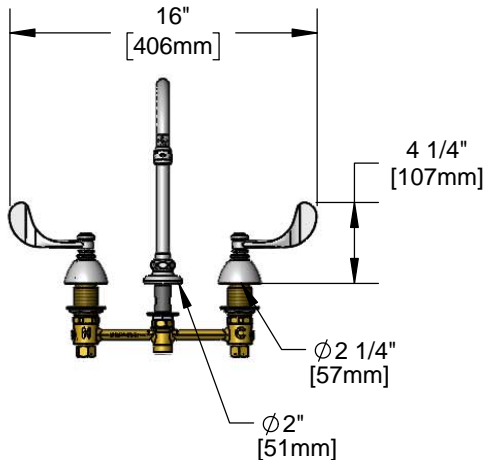
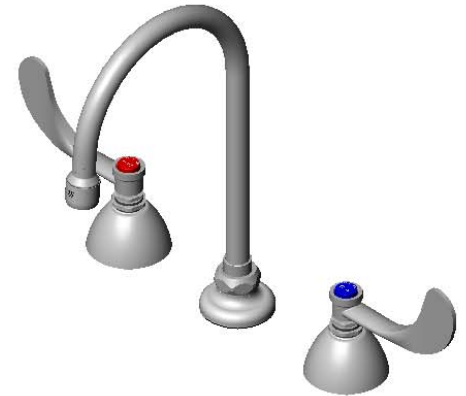




### Architect/Engineering Specifications:

8" concealed deck mount mixing faucet with forged brass body, swivel gooseneck with 2.2 GPM aerator, compression cartridges, 4" wrist action handles, chrome plated escutcheon and 1/2" NPSM male inlets with coupling nuts. Certified to ASME A112.18.1/CSA B125.1, NSF 61-Section 9 and NSF 372. Meets ADA ANSI/ICC A117.1 requirements.

Job Name \_\_\_\_\_  
 Model Specified \_\_\_\_\_ Quantity \_\_\_\_\_  
 Variations Specified \_\_\_\_\_  
 Date \_\_\_\_\_



### Features & Benefits:

- 8" EasyInstall concealed deck mount mixing faucet w/ forged brass body
- 5 3/4" swivel gooseneck with swivel-to-rigid washer to convert swivel gooseneck to rigid.
- 2.2 GPM aerator, Series 1 (B-0199-01)
- 4" wrist action handles w/ color coded indexes
- Eterna compression cartridges
- 1/2" NPSM male inlets w/ coupling nuts
- Material: Forged brass body, polished chrome plated escutcheons, chrome plated metal handles & polished chrome plated brass escutcheons and tubular spout

### Product Compliance:

- ASME A112.18.1 / CSA B125.1
- NSF 61 - Section 9
- NSF 372 (Low Lead Content)
- ANSI A117.1 (ADA)



**Warranty:** One Year (Limited)

### Performance Data:

- Pressure: 20 - 125 psi
- Temperature: 40 °F - 140 °F
- Flow Rate: 2.2 GPM @ 60 psi



ADA Compliant

### Optional Outlets (Series 1 / VR Series 6)

GPM	Aerated	Non-Aerated (Laminar)	VR Aerated	VR Non-Aerated (VR Laminar)	Optional Handles	Optional Cartridges
0.35	N/A	<input type="checkbox"/> B-0199-01-N035	N/A	<input type="checkbox"/> B-0199-06-N035	<input type="checkbox"/> 4" Wrist Action (Std)	<input type="checkbox"/> Quarter Turn Cerama
0.5	N/A	<input type="checkbox"/> B-0199-01-N05	N/A	<input type="checkbox"/> B-0199-06-N05	<input type="checkbox"/> Lever	<input type="checkbox"/> Eterna (Std)
1.0	<input type="checkbox"/> B-0199-01-F10	N/A	<input type="checkbox"/> B-0199-06-F10	N/A	<input type="checkbox"/> 4-Arm	<input type="checkbox"/> Quarter Turn Eterna
1.5	<input type="checkbox"/> B-0199-01-WS	<input type="checkbox"/> B-0199-29	<input type="checkbox"/> B-0199-06-WS	<input type="checkbox"/> B-0199-29VR		<input type="checkbox"/> Push Button Metering
2.2	Standard	<input type="checkbox"/> B-0199-21	<input type="checkbox"/> B-0199-06	<input type="checkbox"/> B-0199-21-VRF		<input type="checkbox"/> Pivot Action Metering <input type="checkbox"/> Wrist Action Metering

