



### Architect/Engineering Specifications:

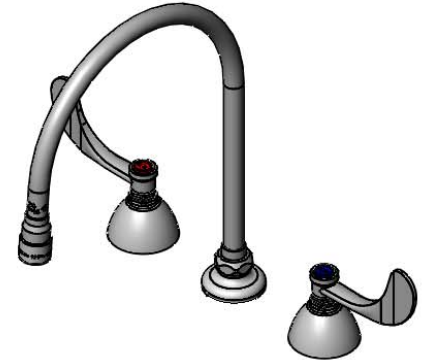
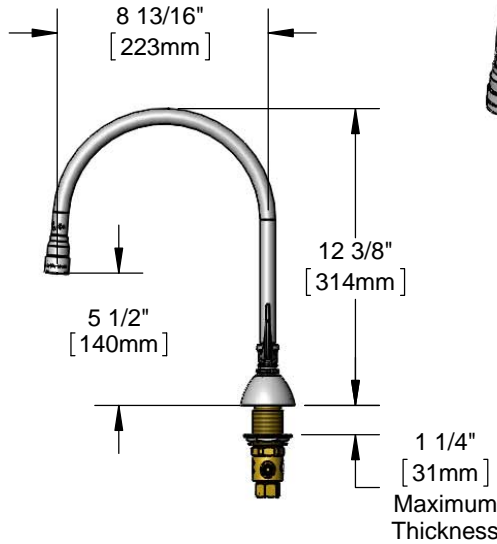
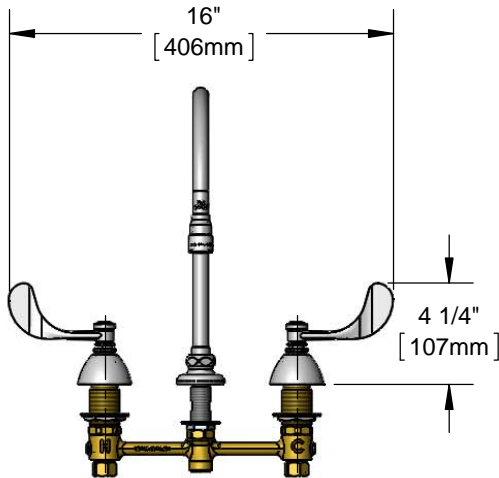
8" concealed deck mount mixing faucet with forged brass body, swivel gooseneck with 2.2 GPM vandal resistant aerator, compression cartridges, 4" wrist action handles with vandal resistant screws, chrome plated escutcheon and 1/2" NPSM male inlets with coupling nuts. Certified to ASME A112.18.1/CSA B125.1, NSF 61-Section 9 and NSF 372. Meets ADA ANSI/ICC A117.1 requirements.

Job Name \_\_\_\_\_

Model Specified \_\_\_\_\_ Quantity \_\_\_\_\_

Variations Specified \_\_\_\_\_

Date \_\_\_\_\_



### Features & Benefits:

- 8" EasyInstall concealed deck mount mixing faucet w/ forged brass body
- 8 13/16" swivel gooseneck with swivel-to-rigid washer to convert swivel gooseneck to rigid.
- 2.2 GPM vandal resistant aerator, Series 7 (B-0199-07)
- 4" wrist action handles w/ color coded indexes
- Eterna compression cartridges
- 1/2" NPSM male inlets w/ coupling nuts
- Material: Forged brass body, polished chrome plated escutcheons, chrome plated metal handles & polished chrome plated brass escutcheons and tubular spout

### Product Compliance:

- ASME A112.18.1 / CSA B125.1
- NSF 61 - Section 9
- NSF 372 (Low Lead Content)
- ANSI A117.1 (ADA)



**Warranty:** One Year (Limited)

### Performance Data:

- Pressure: 20 - 125 psi
- Temperature: 40 °F - 140 °F
- Flow Rate: 2.2 GPM @ 60 psi



ADA Compliant

### Optional Outlets (Series 2 / VR Series 7)

| GPM  | Aerated                                | Non-Aerated (Laminar)                   | VR Aerated                             | VR Non-Aerated (VR Laminar)             |
|------|--|---|--|---|
| 0.35 | N/A                                    | <input type="checkbox"/> B-0199-02-N035 | N/A                                    | <input type="checkbox"/> B-0199-07-N035 |
| 0.5  | N/A                                    | <input type="checkbox"/> B-0199-02-N05  | N/A                                    | <input type="checkbox"/> B-0199-07-N05  |
| 1.0  | <input type="checkbox"/> B-0199-02-F10 | N/A                                     | <input type="checkbox"/> B-0199-07-F10 | N/A                                     |
| 1.2  | <input type="checkbox"/> B-0199-02-F12 | N/A                                     | <input type="checkbox"/> B-0199-07-F12 | N/A                                     |
| 1.5  | <input type="checkbox"/> B-0199-02-WS  | N/A                                     | <input type="checkbox"/> B-0199-07-WS  | N/A                                     |
| 2.2  | <input type="checkbox"/> B-0199-02     | N/A                                     | Standard                               | N/A                                     |

### Optional Handles

- 4" Wrist Action (Standard)
- Lever
- 4-Arm

### Optional Cartridges

- Quarter-Turn Cerama
- Eterna (Standard)
- Quarter-Turn Eterna
- Push Button Metering
- Pivot Action Metering
- Wrist Action Metering

