



Medical and Lavatory Faucets

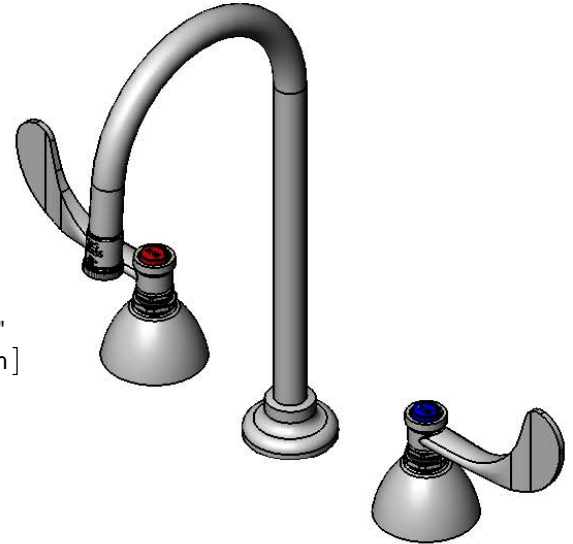
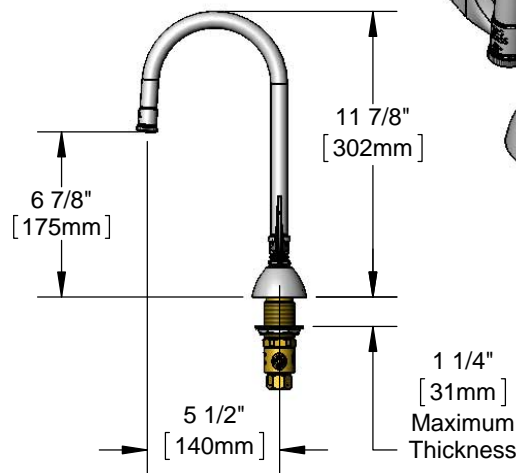
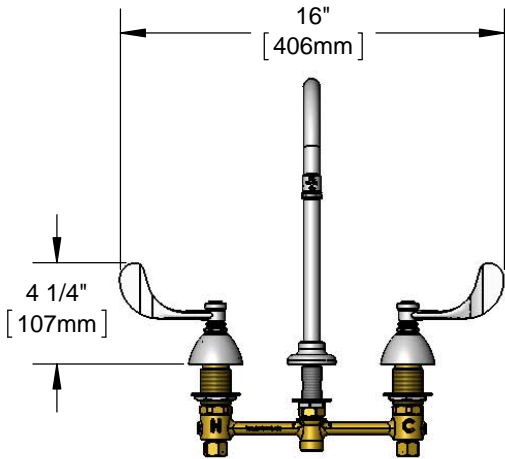
TAG:

B-2865-04-122X **EasyInstall** Concealed Widespread Lavatory Faucet

Architect/Engineering Specifications:

8" concealed deck mount mixing faucet with forged brass body, 5 1/2" rigid gooseneck with stream regulator outlet, compression cartridges, 4" wrist action handles, chrome plated escutcheons and 1/2" NPSM male inlets with coupling nuts. Certified to ASME A112.18.1/CSA B125.1, NSF 61-Section 9 and NSF 372. Meets ADA ANSI/ICC A117.1 requirements.

Job Name _____
 Model Specified _____ Quantity _____
 Variations Specified _____
 Date _____



Features & Benefits:

- 8" EasyInstall concealed deck mount mixing faucet w/ forged brass body
- 5 1/2" rigid gooseneck
- Stream regulator outlet, Series 2
- Eterna compression cartridges
- 4" wrist action handles w/ color coded indexes
- 1/2" NPSM male inlets w/ coupling nuts
- Material: Forged brass body, polished chrome plated brass tubular spout and chrome plated metal handles & escutcheons.

Product Compliance:

- ASME A112.18.1 / CSA B125.1
- NSF 61 - Section 9
- NSF 372 (Low Lead Content)
- ANSI A117.1 (ADA)



Warranty: One Year (Limited)

Performance Data:

- Pressure: 20 - 125 psi
- Temperature: 40 °F - 140 °F
- Flow Rate: 13.56 GPM @ 60 psi



ADA Compliant

Optional Outlets (Series 2 / VR Series 7)

| GPM | Aerated | Non-Aerated (Laminar) | VR Aerated | VR Non-Aerated (VR Laminar) | Optional Handles | Optional Cartridges |
|------|--|---|--|---|---|--|
| 0.35 | N/A | <input type="checkbox"/> B-0199-02-N035 | N/A | <input type="checkbox"/> B-0199-07-N035 | <input type="checkbox"/> 4" Wrist Action (Standard) | <input type="checkbox"/> Quarter-Turn Cerama |
| 0.5 | N/A | <input type="checkbox"/> B-0199-02-N05 | N/A | <input type="checkbox"/> B-0199-07-N05 | <input type="checkbox"/> Lever | <input type="checkbox"/> Eterna (Standard) |
| 1.0 | <input type="checkbox"/> B-0199-02-F10 | N/A | <input type="checkbox"/> B-0199-07-F10 | N/A | <input type="checkbox"/> 4-Arm | <input type="checkbox"/> Quarter-Turn Eterna |
| 1.5 | <input type="checkbox"/> B-0199-02-WS | N/A | <input type="checkbox"/> B-0199-07-WS | N/A | | <input type="checkbox"/> Push Button Metering |
| 2.2 | <input type="checkbox"/> B-0199-02 | N/A | <input type="checkbox"/> B-0199-07 | N/A | | <input type="checkbox"/> Pivot Action Metering |
| | | | | | | <input type="checkbox"/> Wrist Action Metering |



T&S BRASS AND BRONZE WORKS, INC.



• 2 Saddleback Cove • Travelers Rest, SC 29690
 Ph 800-476-4103 • Fax 864-834-3518
 • Simi Valley, CA • Ph 800-423-0150 • www.tsbrass.com

Date: 06/22/16