



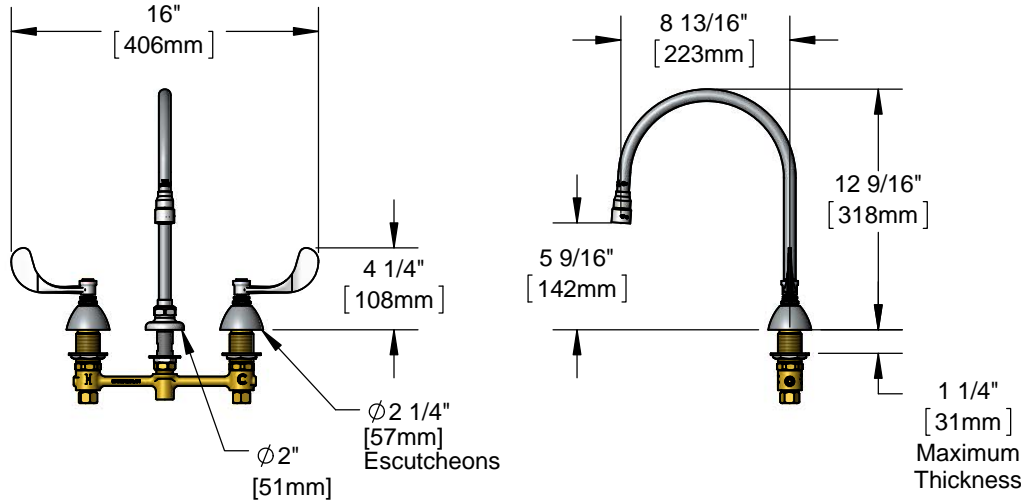
B-2862-QT-VR22

EasyInstall Concealed Widespread Lavatory Faucet

Architect/Engineering Specifications:

8" concealed deck mount mixing faucet with forged brass body, 8 13/16" swivel gooseneck with 2.2 GPM vandal resistant aerator, compression cartridges, 4" wrist action handles, vandal resistant screws, polished chrome plated escutcheons and 1/2" NPSM male inlets with coupling nuts. Certified to ASME A112.18.1/CSA B125.1, NSF 61-Section 9 and NSF 372. Meets ADA ANSI/ICC A117.1 requirements.

Job Name _____
 Model Specified _____ Quantity _____
 Variations Specified _____
 Date _____



Features & Benefits:

- 8" EasyInstall concealed deck mount mixing faucet w/ forged brass body
- 8 13/16" swivel gooseneck w/ swivel-to-rigid washer to convert swivel gooseneck to rigid
- 2.2 GPM vandal resistant aerator, Series 7 (B-0199-07)
- Quarter-turn Eterna compression cartridges
- 4" wrist action handles w/ color coded indexes
- Vandal resistant screws
- 1/2" NPSM male inlets w/ coupling nuts
- Material: Forged brass body, polished chrome plated brass tubular spout and chrome plated metal handles

Product Compliance:

- ASME A112.18.1 / CSA B125.1
- NSF 61 - Section 9
- NSF 372 (Low Lead Content)
- ANSI A117.1 (ADA)



Warranty: One Year (Limited)

Performance Data:

- Pressure: 20 - 125 psi
- Temperature: 40 °F - 140 °F
- Flow Rate: 2.2 GPM @ 60 psi

Optional Outlets (Series 2 / VR Series 7)

GPM	Aerated	Non-Aerated (Laminar)	VR Aerated	VR Non-Aerated (VR Laminar)
0.35	N/A	<input type="checkbox"/> B-0199-02-N035	N/A	<input type="checkbox"/> B-0199-07-N035
0.5	N/A	<input type="checkbox"/> B-0199-02-N05	N/A	<input type="checkbox"/> B-0199-07-N05
1.0	<input type="checkbox"/> B-0199-02-F10	N/A	<input type="checkbox"/> B-0199-07-F10	N/A
1.2	<input type="checkbox"/> B-0199-02-F12	N/A	<input type="checkbox"/> B-0199-07-F12	N/A
1.5	<input type="checkbox"/> B-0199-02-WS	N/A	<input type="checkbox"/> B-0199-07-WS	N/A
2.2	<input type="checkbox"/> B-0199-02	N/A	Standard	N/A

Optional Handles

- 4" Wrist Action (Standard)
- Lever
- 4-Arm

Optional Cartridges

- Quarter-Turn Cerama
- Eterna
- Quarter-Turn Eterna (Standard)
- Push Button Metering
- Pivot Action Metering
- Wrist Action Metering

