



Architect/Engineering Specifications:

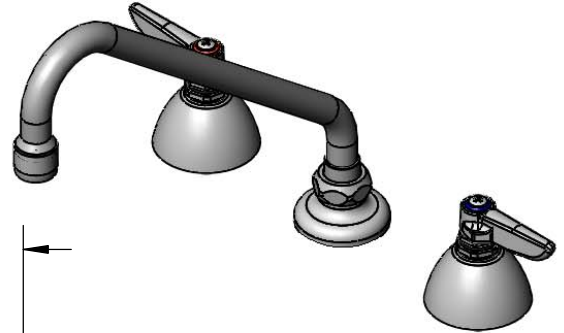
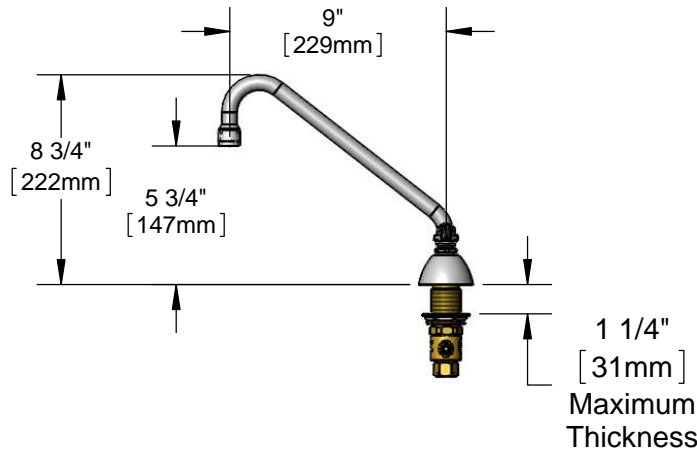
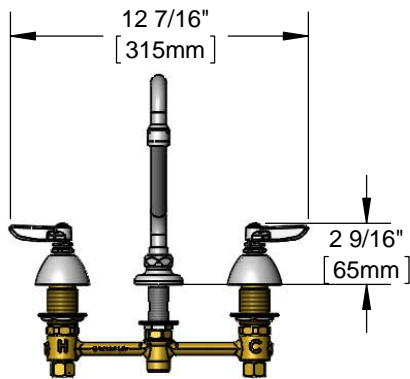
8" concealed deck mount mixing faucet with forged brass body, 9" swing nozzle, 2.2 GPM aerator, compression cartridges, lever handles, chrome plated escutcheons and 1/2" NPSM male inlets with coupling nuts. Certified to ASME A112.18.1/CSA B125.1, NSF/ANSI 61-Section 9 and NSF/ANSI 372. Meets ADA ANSI/ICC A117.1 requirements.

Job Name _____

Model Specified _____ Quantity _____

Variations Specified _____

Date _____



Features & Benefits:

- 8" EasyInstall concealed deck mount mixing faucet w/ forged brass body
- 9" swing nozzle
- 2.2 GPM aerated, Series 1 (B-0199-01)
- Eterna compression cartridges
- Lever handles w/ color coded indexes
- 1/2" NPSM male inlets w/ coupling nuts
- Material: Forged brass body, chrome plated metal handles, & escutcheons and polished chrome plated brass tubular spout

Product Compliance:

- ASME A112.18.1 / CSA B125.1
- NSF 61 - Section 9
- NSF 372 (Low Lead Content)
- ANSI A117.1 (ADA)



Warranty: One Year (Limited)

Performance Data:

- Pressure: 20 - 125 psi
- Temperature: 40°F - 140°F
- Flow Rate: 2.2 GPM @ 60 psi



ADA Compliant

Optional Outlets (Series 1 / VR Series 6)

| GPM | Aerated | Non-Aerated (Laminar) | VR Aerated | VR Non-Aerated (VR Laminar) |
|------|--|---|--|---|
| 0.35 | N/A | <input type="checkbox"/> B-0199-01-N035 | N/A | <input type="checkbox"/> B-0199-06-N035 |
| 0.5 | N/A | <input type="checkbox"/> B-0199-01-N05 | N/A | <input type="checkbox"/> B-0199-06-N05 |
| 1.0 | <input type="checkbox"/> B-0199-01-F10 | N/A | <input type="checkbox"/> B-0199-06-F10 | N/A |
| 1.2 | <input type="checkbox"/> B-0199-01-F12 | <input type="checkbox"/> B-0199-01-LF12 | <input type="checkbox"/> B-0199-06-F12 | <input type="checkbox"/> B-0199-06-LF12 |
| 1.5 | <input type="checkbox"/> B-0199-01-WS | <input type="checkbox"/> B-0199-29 | <input type="checkbox"/> B-0199-06-WS | <input type="checkbox"/> B-0199-29VR |
| 2.2 | Standard | <input type="checkbox"/> B-0199-21 | <input type="checkbox"/> B-0199-06 | <input type="checkbox"/> B-0199-21-VRF |

Optional Handles

- 4" Wrist Action
- Lever (Standard)
- 4-Arm

Optional Cartridges

- Quarter-Turn Cerama
- Eterna (Standard)
- Quarter-Turn Eterna
- Push Button Metering
- Pivot Action Metering
- Wrist Action Metering

