



Single Lever Faucets

B-2731-LF15

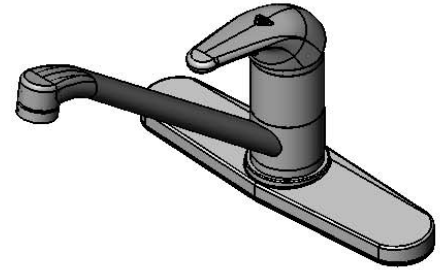
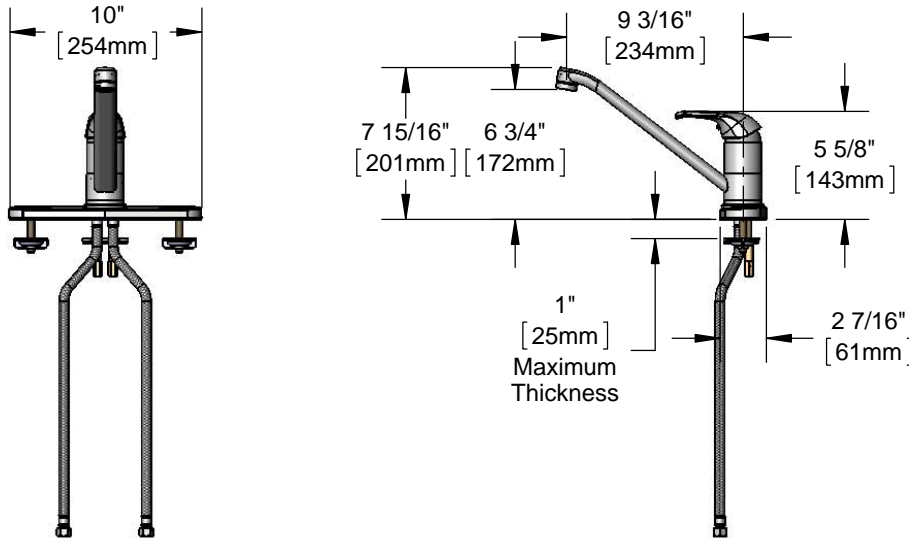
TAG:

Single Lever Faucet

Architect/Engineering Specifications:

Deck mount single lever faucet with 10" deck plate, polished chrome plated brass body with integral 9" swivel spout, 1.5 GPM vandal resistant laminar flow device, ceramic cartridge with adjustable temperature limit stop, single lever handle and 16" flexible stainless steel supply hoses with 3/8" O.D. compression connections. Certified to ASME A112.18.1/CSA B125.1, NSF 61-Section 9 and NSF 372. Meets ADA ANSI/ICC A117.1 requirements.

Job Name _____
 Model Specified _____ Quantity _____
 Variations Specified _____
 Date _____



Features & Benefits:

- Deck mount single lever faucet with polished chrome plated brass body w/ integral 9" swivel spout
- Polished chrome plated brass 10" deck plate cover (fits 8" hole centers)
- 1.5 GPM vandal resistant laminar flow device, Series 9 (B-0199-09-LF15)
- Ceramic cartridge w/ adjustable temperature limit stop
- Single lever handle w/ color coded index
- 16" flexible stainless steel supply hoses with 3/8" O.D. compression connections
- Material: Polished chrome plated brass body & deck plate, chrome plated metal handle and stainless steel hoses

Product Compliance:

- ASME A112.18.1 / CSA B125.1
- NSF 61 - Section 9
- NSF 372 (Low Lead Content)
- ANSI A117.1 (ADA)

Warranty: One Year (Limited)

- Ceramic Cartridge: Two Year (Limited)

Performance Data:

- Pressure: 20 - 125 psi
- Temperature: 40°F - 140°F
- Flow Rate: 1.5 GPM @ 60 psi



Optional Outlets (Series 4 / VR Series 9)

GPM	Aerated	Non-Aerated (Laminar)	VR Aerated	VR Non-Aerated (VR Laminar)	Accessories
0.35	N/A	<input type="checkbox"/> B-0199-04-N035	N/A	<input type="checkbox"/> B-0199-09-N035	<input type="checkbox"/> 6" Long Handle
0.5	N/A	<input type="checkbox"/> B-0199-04-N05	N/A	<input type="checkbox"/> B-0199-09-N05	
1.0	N/A	N/A	N/A	<input type="checkbox"/> B-0199-09-LF10	
1.2	<input type="checkbox"/> B-0199-04-F12	N/A	<input type="checkbox"/> B-0199-09-F12	N/A	
1.5	<input type="checkbox"/> B-0199-04-WS	N/A	<input type="checkbox"/> B-0199-09-WS	Standard	
2.2	<input type="checkbox"/> B-0199-04	<input type="checkbox"/> B-0199-25	<input type="checkbox"/> B-0199-09	<input type="checkbox"/> B-0199-27	



T&S BRASS AND BRONZE WORKS, INC.



• 2 Saddleback Cove • Travelers Rest, SC 29690
 Ph 800-476-4103 • Fax 864-834-3518
 • Simi Valley, CA • Ph 800-423-0150 • www.tsbrass.com

Date: 11/21/16