



Single Lever Faucets

B-2730-3H

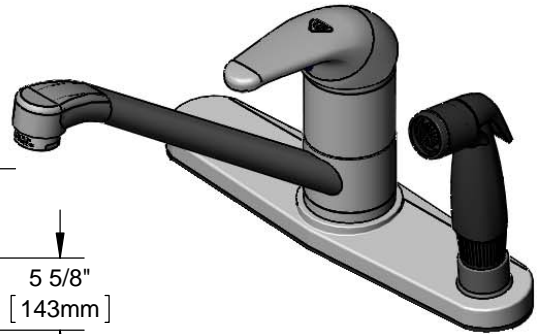
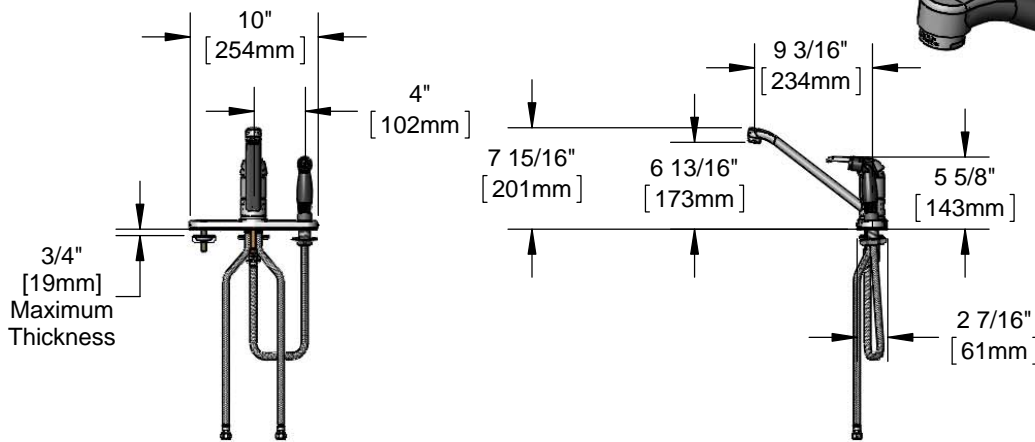
TAG:

Single Lever Faucet

Architect/Engineering Specifications:

Deck mount single lever faucet with polished chrome plated brass body, integral 9 3/16" swivel spout, polished chrome plated deck plate, 2.2 GPM aerator, ceramic cartridge with adjustable temperature limit stop, single lever handle, 16" flexible stainless steel supply hoses with 3/8" O.D. compression connections, side spray with 4 ft. hose and hose guide. Certified to ASME A112.18.1/CSA B125.1, NSF 61-Section 9 and NSF 372. Meets ADA ANSI/ICC A117.1 requirements.

Job Name _____
 Model Specified _____ Quantity _____
 Variations Specified _____
 Date _____



Features & Benefits:

- Deck mount single lever faucet with polished chrome plate brass body
- Polished chrome plated brass 10" deck plate (Fits 8" Hole Centers)
- 9 3/16" swivel spout
- 2.2 GPM aerator, Series 4 (B-0199-04)
- Ceramic cartridge w/ adjustable temperature limit stop
- Single lever handle w/ color coded index
- 16" flexible stainless steel supply hoses with 3/8" O.D. compression connections
- Side spray with 4 ft. hose and hose guide
- Material: Polished chrome plated brass body & deck plate, chrome plated metal handle and stainless steel hoses

Product Compliance:

- ASME A112.18.1 / CSA B125.1
- NSF 61 - Section 9
- NSF 372 (Low Lead Content)
- ANSI A117.1 (ADA)



Warranty: One Year (Limited)

- Ceramic Cartridge: Two Year (Limited)



ADA Compliant

Performance Data:

- Pressure: 20 - 125 psi
- Temperature: 40°F - 140°F
- Flow Rate: 2.2 GPM @ 60 psi

Optional Outlets (Series 4 / VR Series 9)

| GPM | Aerated | Non-Aerated (Laminar) | VR Aerated | VR Non-Aerated (VR Laminar) | Accessories |
|------|---------------------------------------|---|---------------------------------------|--|--|
| 0.35 | N/A | <input type="checkbox"/> B-0199-04-N035 | N/A | <input type="checkbox"/> B-0199-09-N035 | <input type="checkbox"/> Cover Plate w/ Side Spray Hole (Standard) |
| 0.5 | N/A | <input type="checkbox"/> B-0199-04-N05 | N/A | <input type="checkbox"/> B-0199-09-N05 | <input type="checkbox"/> 7ft Long Side Spray |
| 1.0 | N/A | N/A | N/A | <input type="checkbox"/> B-0199-09-LF-10 | <input type="checkbox"/> 6" Long Handle |
| 1.5 | <input type="checkbox"/> B-0199-04-WS | N/A | <input type="checkbox"/> B-0199-09-WS | <input type="checkbox"/> B-0199-09-LF-15 | |
| 2.2 | Standard | <input type="checkbox"/> B-0199-25 | <input type="checkbox"/> B-0199-09 | <input type="checkbox"/> B-0199-27 | |



T&S BRASS AND BRONZE WORKS, INC.



• 2 Saddleback Cove • Travelers Rest, SC 29690
 Ph 800-476-4103 • Fax 864-834-3518
 • Simi Valley, CA • Ph 800-423-0150 • www.tsbrass.com

Date: 01/23/17